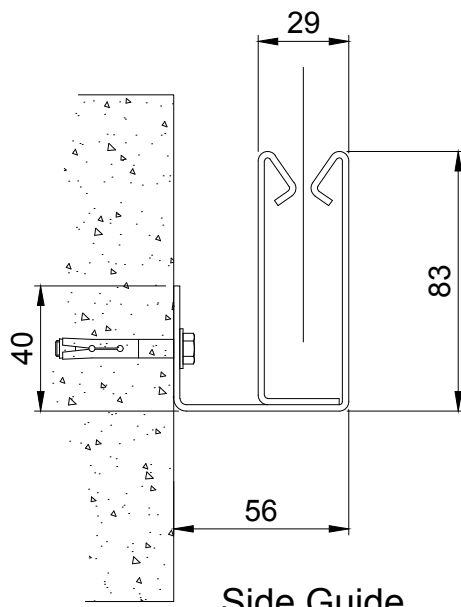
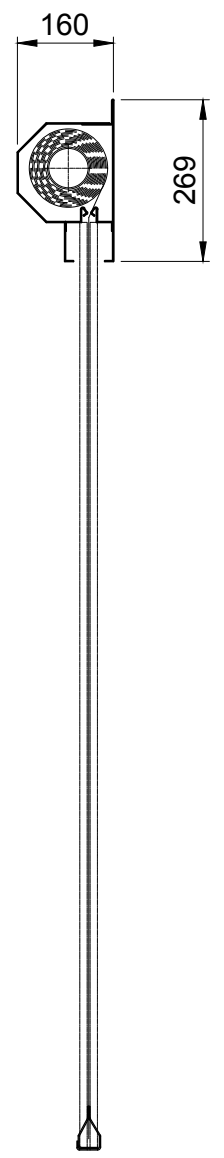
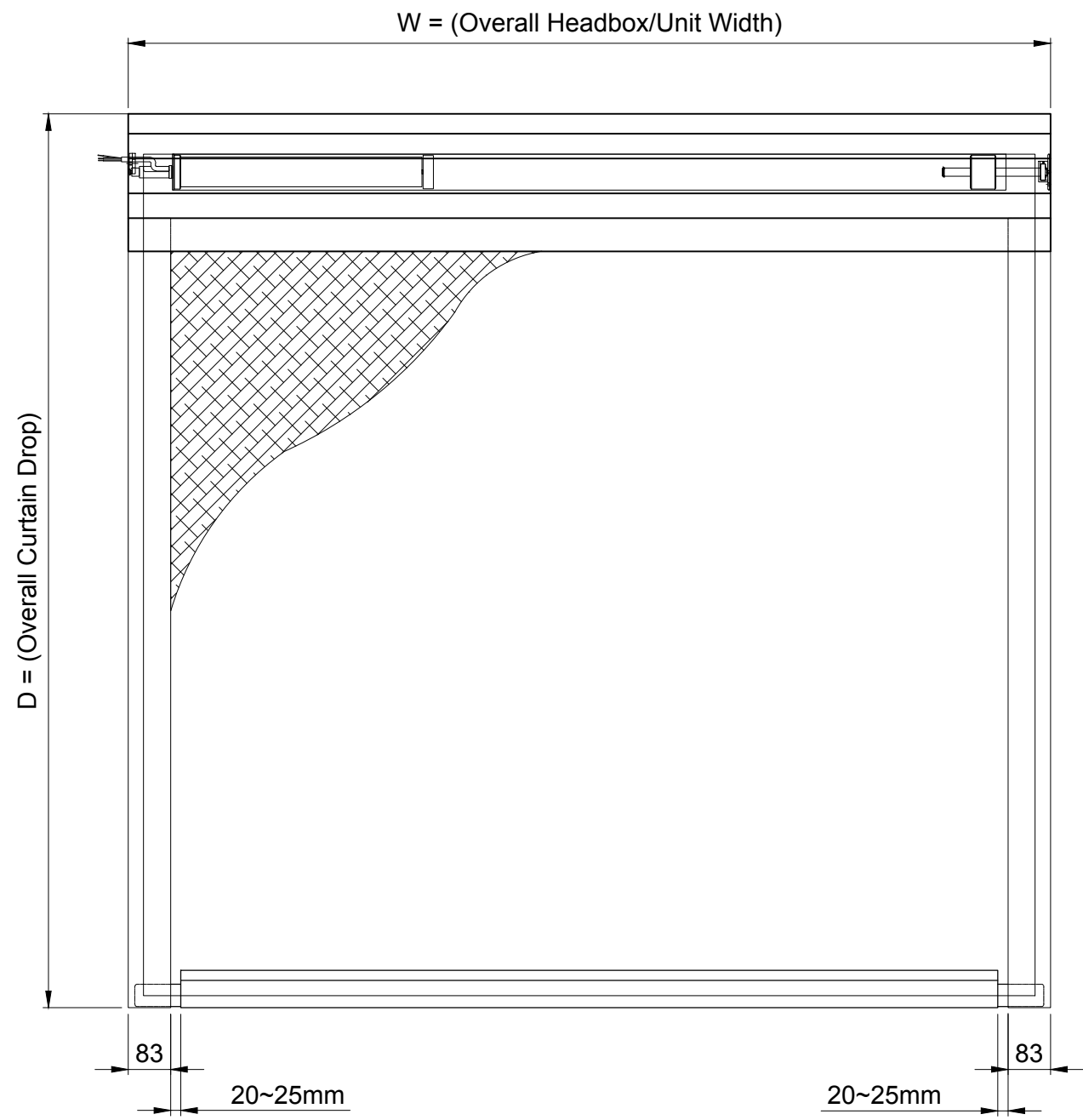
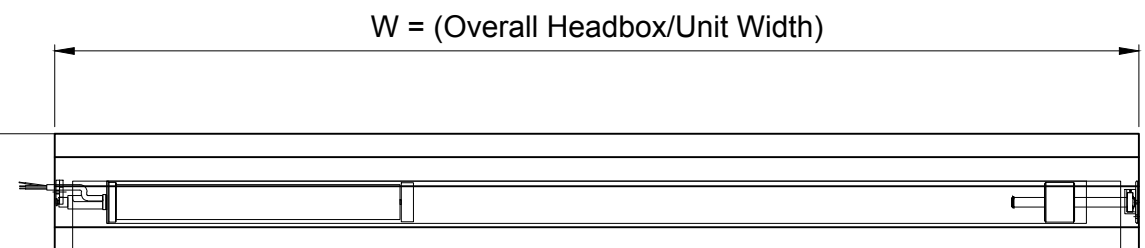
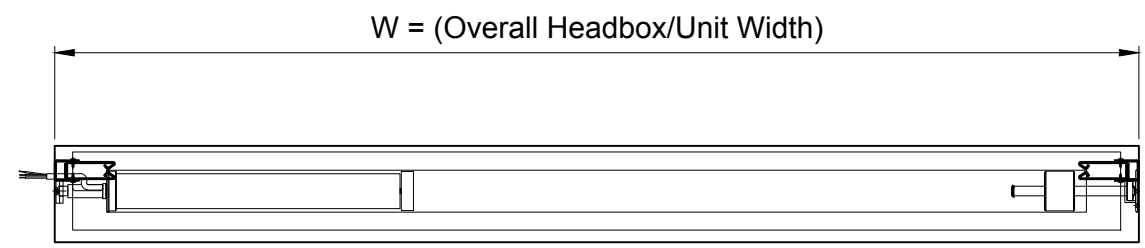


Headbox Detail



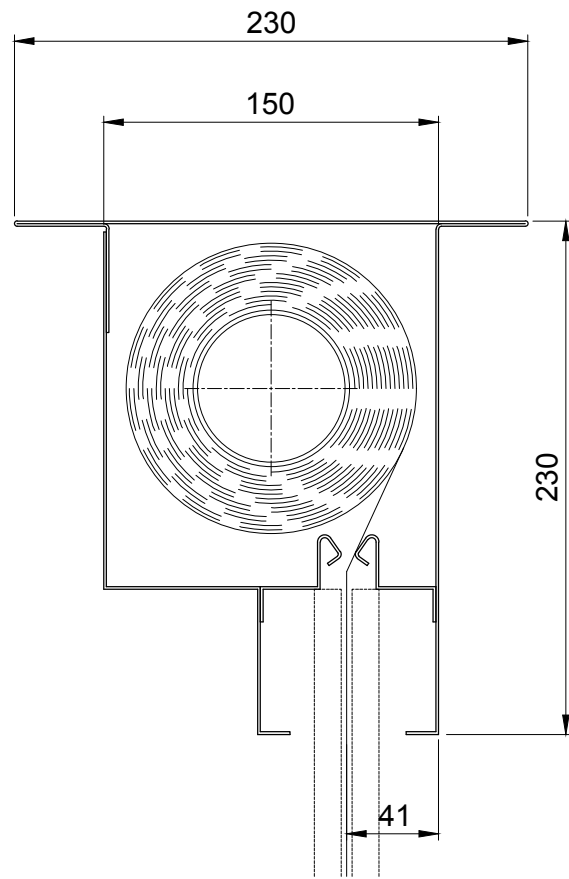
Side Guide
(Face Fix)



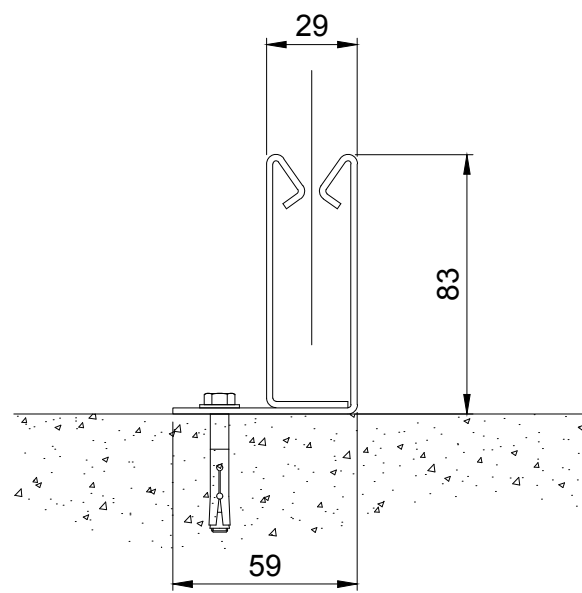
Edward House, Penner Road,
Havant, Hampshire, PO9 1QZ, UK
Tel: +44 (0) 23 9245 4405
Fax: +44 (0) 23 9249 2732
Email: info@coopersfire.com
Web: www.coopersfire.com

| | | | | |
|-----------|----|---|---|------------------------------|
| DRAWN: | ML | TITLE: | Vii@Fire/Vii@Fire iZone Fire Curtain Configuration - Face Fix | |
| CHECKED: | JR | © 1997-2018 A COOPER GROUP LIMITED ALL RIGHTS RESERVED. THIS DESIGN MAY NOT BE REPRODUCED IN ANY MATERIAL FORM, INCLUDING ELECTRONICALLY WITHOUT THE WRITTEN PERMISSION OF THE COPYRIGHT NAMES | ALL DIMENSION IN MILLIMETERS UNLESS OTHERWISE STATED | |
| APPROVED: | JR | DRG. No. | 601/324/MK | ISSUE: 1 DATE: 17.05.2018 |

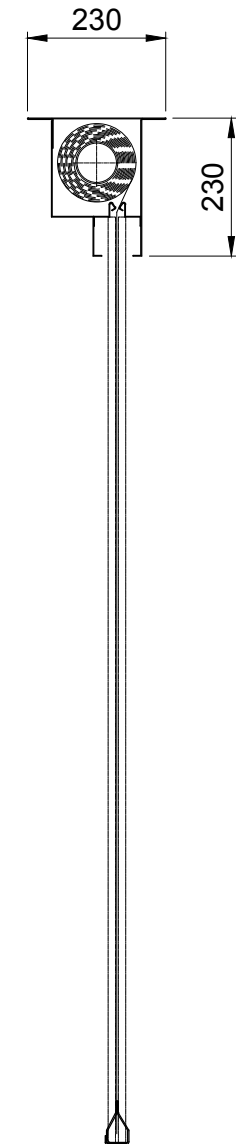
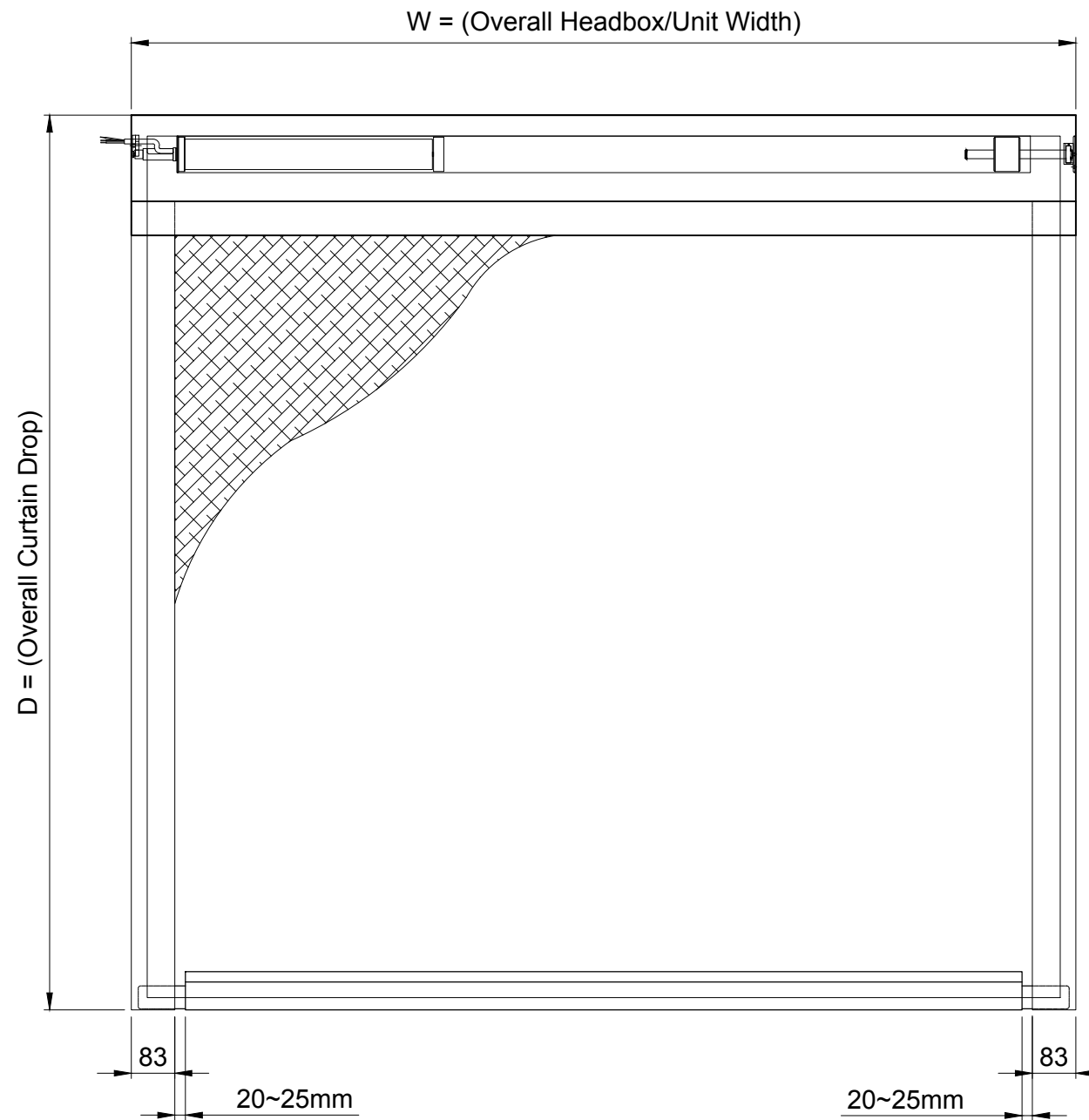
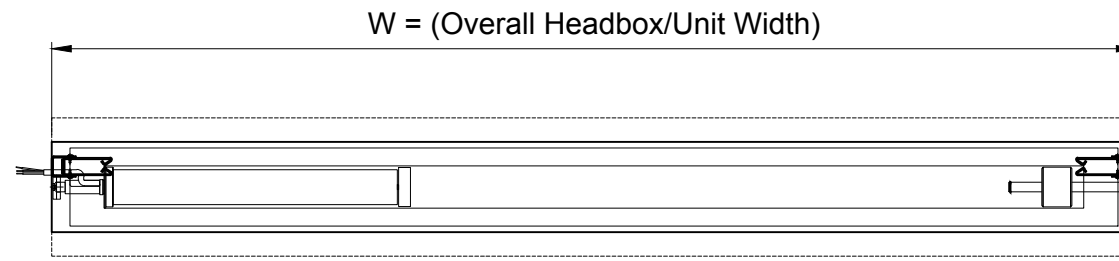
| Product | Max Width | Max Drop | Fabric | Smoke Seal |
|----------------|-----------|------------|-----------------|------------|
| Vii@Fire FM | 3 metres | 3.0 metres | EFP™ A1 | Yes / No |
| Vii@Fire iZone | 3 metres | 3.0 metres | EFP™ 2/1000/DGI | Yes / No |



Headbox Detail



Side Guide
(Reveal Fix)



Edward House, Penner Road,
Havant, Hampshire, PO9 1QZ, UK

Tel: +44 (0) 23 9245 4405
Fax: +44 (0) 23 9249 2732

Email: info@coopersfire.com
Web: www.coopersfire.com

| | | | |
|-----------|----|---|---|
| DRAWN: | ML | TITLE: | Vii@Fire/Vii@Fire iZone Fire Curtain Configuration - Reveal Fix |
| CHECKED: | JR | © 1997-2018 A COOPER GROUP LIMITED ALL RIGHTS RESERVED. THIS DESIGN MAY NOT BE REPRODUCED IN ANY MATERIAL FORM, INCLUDING ELECTRONICALLY WITHOUT THE WRITTEN PERMISSION OF THE COPYRIGHT NAMES | ALL DIMENSION IN MILLIMETERS UNLESS OTHERWISE STATED |
| APPROVED: | JR | DRG. No. | 601/325/MK |
| | | ISSUE: | 1 |
| | | DATE: | 17.05.2018 |

| Product | Max Width | Max Drop | Fabric | Smoke Seal |
|----------------|-----------|------------|-----------------|------------|
| Vii@Fire FM | 3 metres | 3.0 metres | EFP™ A1 | Yes / No |
| Vii@Fire iZone | 3 metres | 3.0 metres | EFP™ 2/1000/DGI | Yes / No |