

DATA SHEET – Obstruction Light curtain

PRODUCT CODE: CF004630

VERSION: Issue A – 18/04/2024
DS059



LEADING THE WAY IN FIRE PROTECTION

DATA SHEET – Obstruction Light curtain

PRODUCT DESCRIPTION:

The light curtains consist of 36 diodes, supporting up to 194 criss-cross beams for premium safety.

The 36 diodes can detect a 50mm target.

The RX has a diagnostic LED that is visible through the lens and provides an indication of a permanent trigger or a possible system fault.

The system has been designed to be tolerant to the infra-red content equivalent to 100k lux. This results in very high levels of light immunity and outstanding reliability. The detectors are housed in a 10mm profile.

The obstruction will be sounded after a detected obstruction remains in the path of the IR beam for as long as the timer set in the control panel.

An audio / visual warning device must be used with the Obstruction Light Curtain (OLC) to alert the occupants.

SPECIFICATION

Current Rating: <100mA

Current Consumption: <100mA

Voltage Rating: 44 VDC

Colour: Aluminium grey

Dimensions: 10mm x 33.5mm x 2000mm

Installation Position: Vertical, adjacent to the gap beneath the curtain and against the side guides.

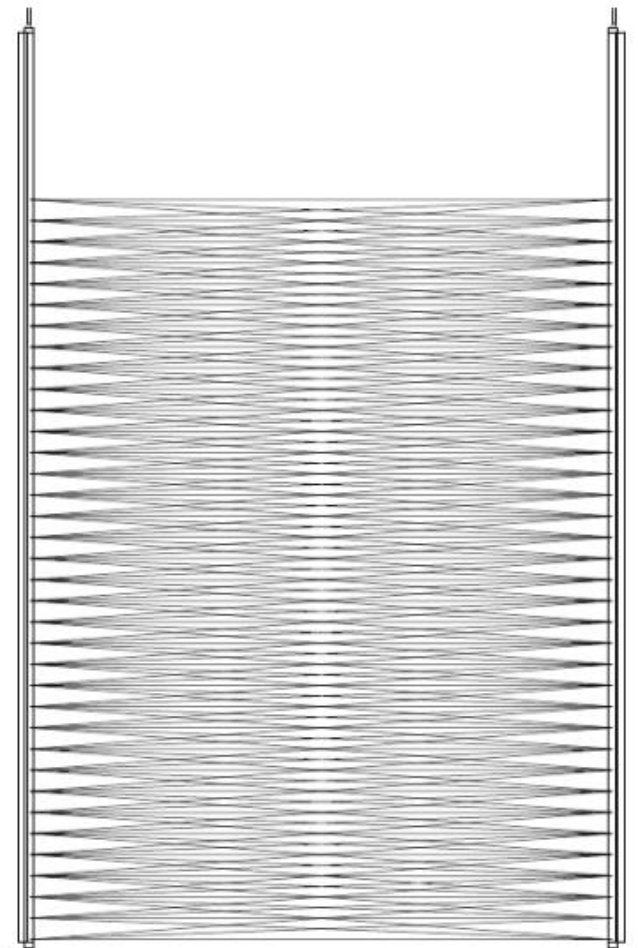
IP Rating: IP65

Material: Aluminium

Operating Temperature: -10°C to 60°C

Maximum Range: 3 Meters

36-Diodes



Coopers Fire Ltd
Ignis House,
Houghton Avenue,
Waterlooville, Hampshire
PO7 3DU.
United Kingdom

Coopers Fire Ltd has a policy of continuous product improvement. As such we reserve the right to change design and specifications without prior notice.

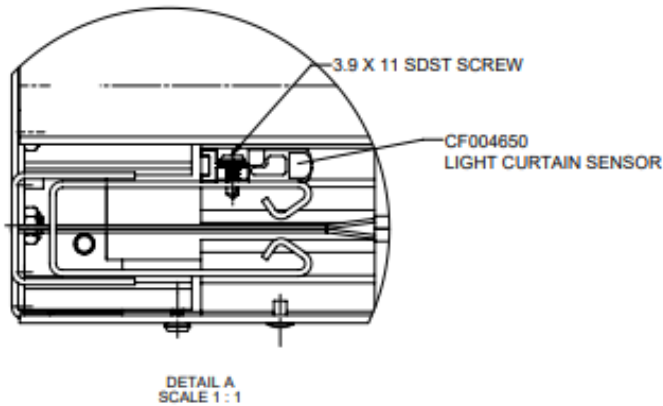
Phone: +44 (0)2392 454 405
Email: info@coopersfire.com
Web: www.coopersfire.com

Please check our website for the latest information

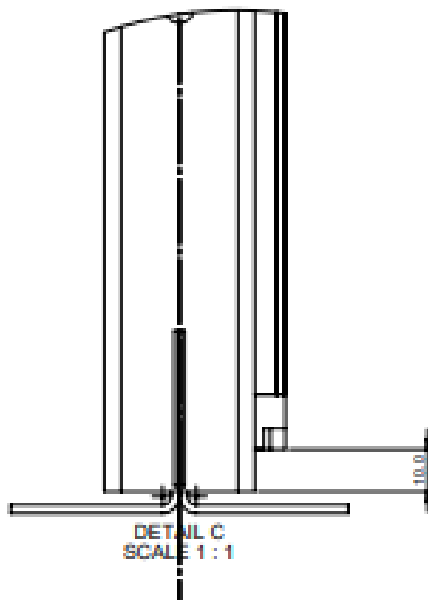
DATA SHEET – Obstruction Light curtain

INSTALLATION PROCEDURE:

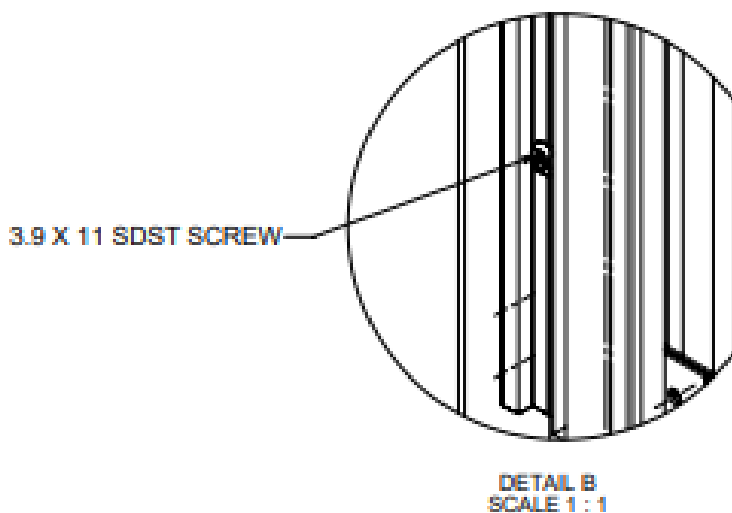
1 - Align sensors flush to the tips of the side channel



2 - Ensure the bottom of the sensors are set 10mm above the finished floor



3 – Attach light curtain to side channels through the mounting holes using 3.9 x 11 SDST screws



Coopers Fire Ltd,
Edward House, Penner Road,
Havant, Hampshire, PO9 1QZ
United Kingdom

Phone: +44 (0)2392 454 405
Email: info@coopersfire.com
Web: www.coopersfire.com

Coopers Fire Ltd has
a policy of continuous
product improvement.

As such we reserve the
right to change design
and specifications
without prior notice.

© Coopers Fire Ltd. All content and products are copyright
of Coopers Fire Ltd. Registered in England Number: 2010274.
*Multiple patents granted and pending.

DATA SHEET – Obstruction Light curtain

WIRING GUIDE:

When wiring the light curtain note the difference in wires between the two large cables from either sensor. One should have a black and red wire, and the other should have black, red, blue, yellow, green, orange, and purple wires. The purple, green and orange wires should be individually isolated.

Connect red wires from TX to red and blue wires from RX and then connect all three wires into positive within the control panel. Connect both black wires from TX and RX together and connect to negative within the control panel. The yellow wire should connect into the signal wire within the control panel.

