

DATA SHEET OBSTRUCTION WARNING SYSTEM – C = 60m (OWS-C)

PRODUCT CODE: CF004530, CF004531

VERSION: Issue D – 07/02/2024
DS060

Emitter:



Receiver:



OBSTRUCTION WARNING SYSTEM – C = 60m

PRODUCT DESCRIPTION

The Obstruction Warning System – C (OWS-C) monitors the horizontal opening protected by a fire curtain to ensure it is kept clear. If the opening is obstructed the LED beam will be broken and then after a short delay period a warning device will be activated. The warning device will be audible and/or visual.

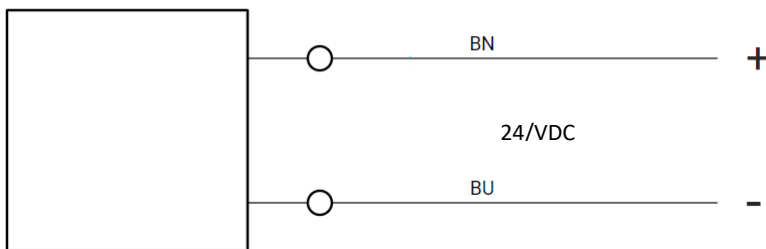
The Obstruction Warning System – C (OWS-C) is compatible with both Voice Warning units (VWR and VWC). When used in conjunction with Voice Warning units the Voice Warning unit will play the message "Warning, please remove obstruction". The message will repeat until the obstruction has been removed.

Alternatively, the Obstruction Warning System – C (OWS-C) can be used with a Light & Sound Warning unit (LSW). When used in conjunction with a LSW the LSW will output an audible tone and flash until the obstruction is cleared.

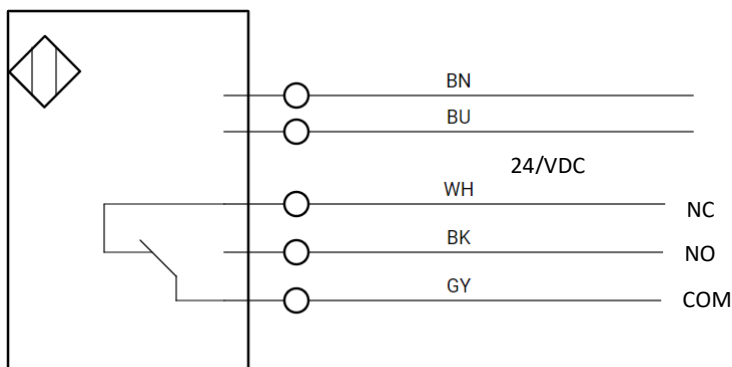
NOTE: An audio / visual warning device MUST be used with the Obstruction Warning System – C (OWS-C) to alert nearby occupants.

VSENSOR WIRING CONNECTIONS

Emitter:



Receiver:



SPECIFICATION

Voltage Rating:
24/VDC

Current Consumption:
≤35mA

External Cable length:
2M cable

Colour:
White

Dimensions:
18(w) x 50(h) x 50mm(d)
Emitter and Receiver

Effective Detection Range:
0 – 60m

Installation Position:
Up to 150mm from FFL
Up to 100mm from barrier drop line

IP Rating:
IP67

Material:
ABS Plastic

Operating Temperature:
-25°C to +55°C

Weight:
220g (Emitter and Receiver)

Coopers Fire Ltd
Ignis House,
Houghton Avenue,
Waterlooville, Hampshire
PO7 3DU.
United Kingdom

Coopers Fire Ltd has a policy of continuous product improvement. As such we reserve the right to change design and specifications without prior notice.

Phone: +44 (0)2392 454 405
Email: info@coopersfire.com
Web: www.coopersfire.com

Please check our website for the latest information