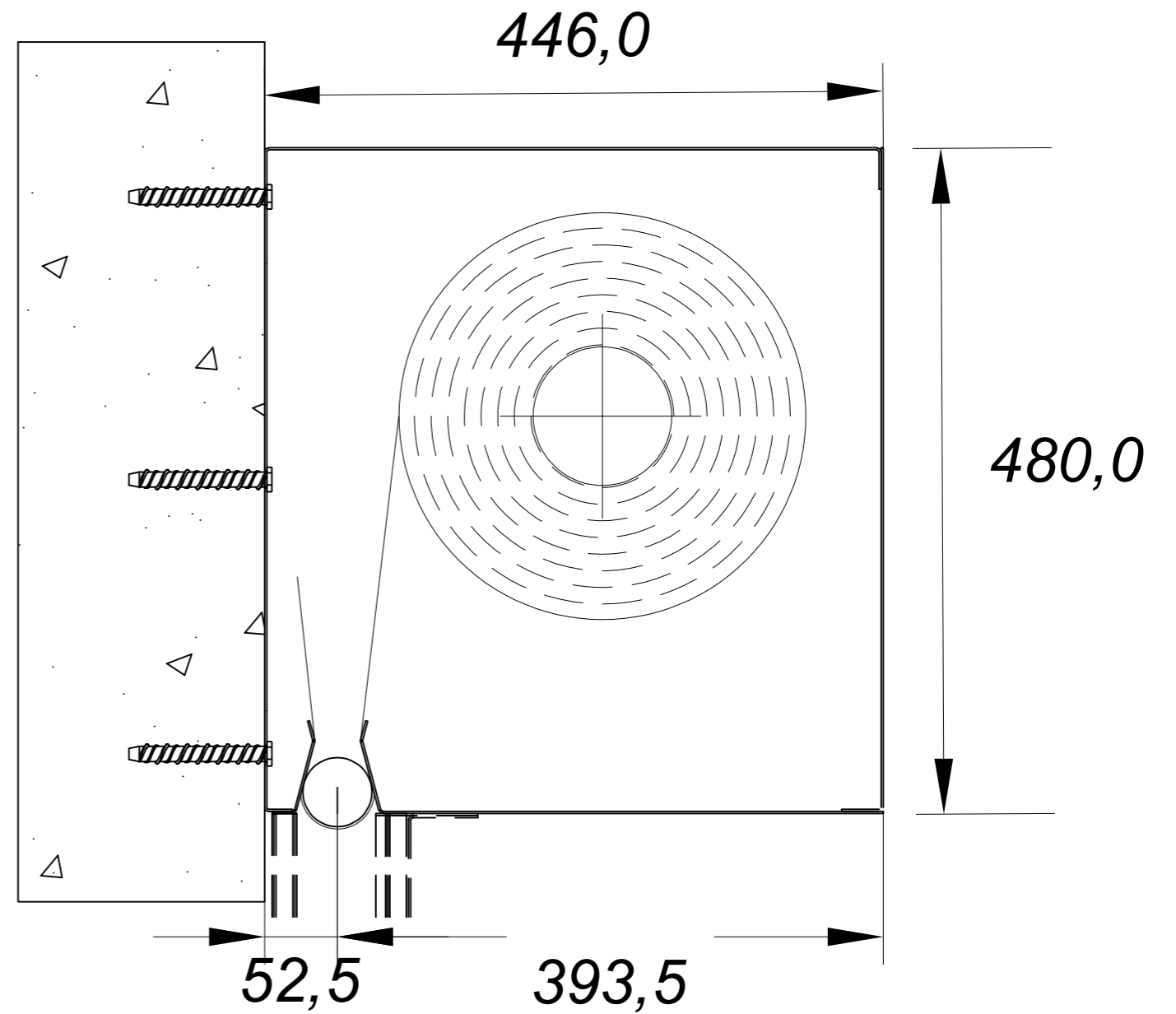


Side Guide



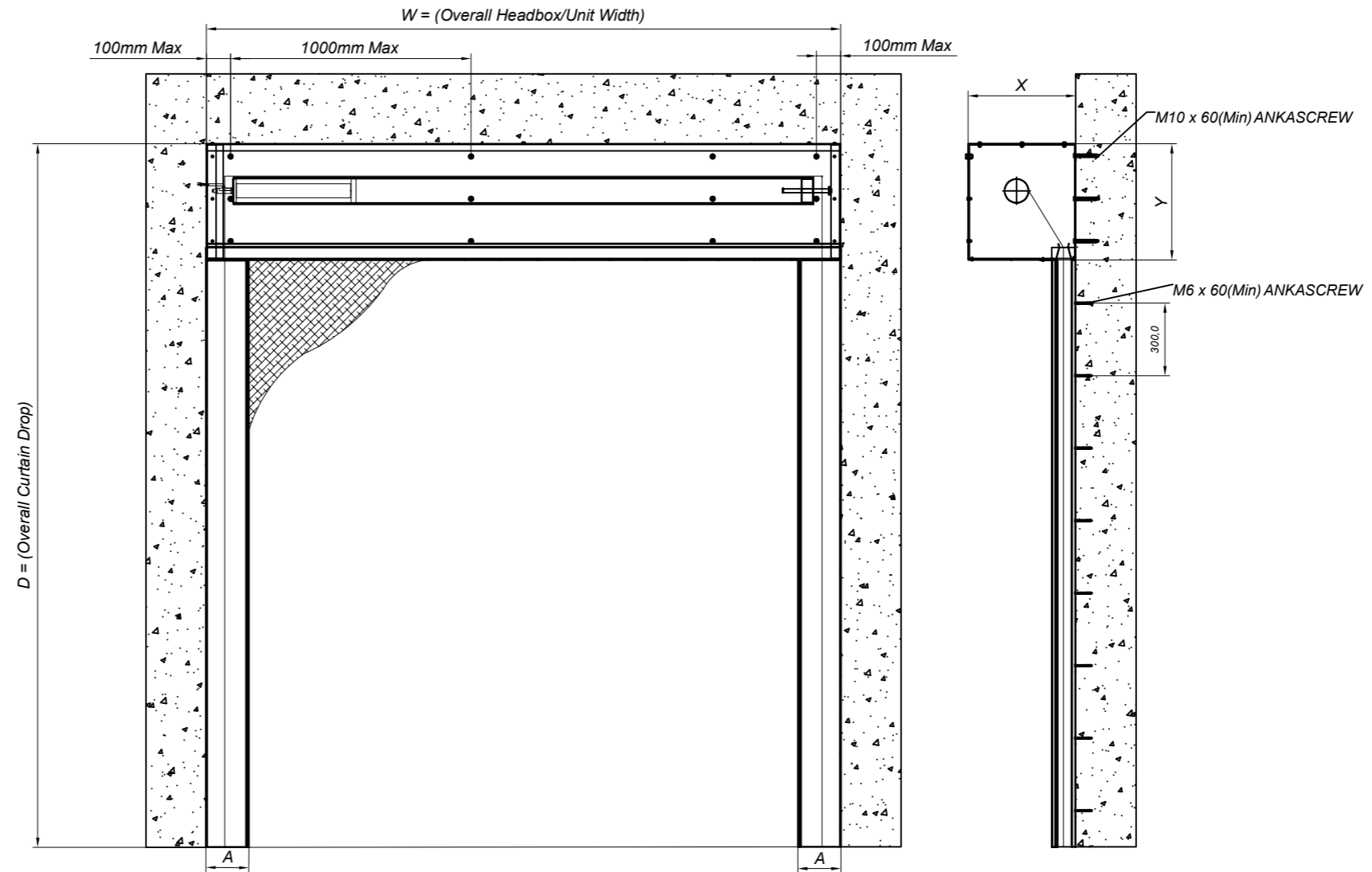
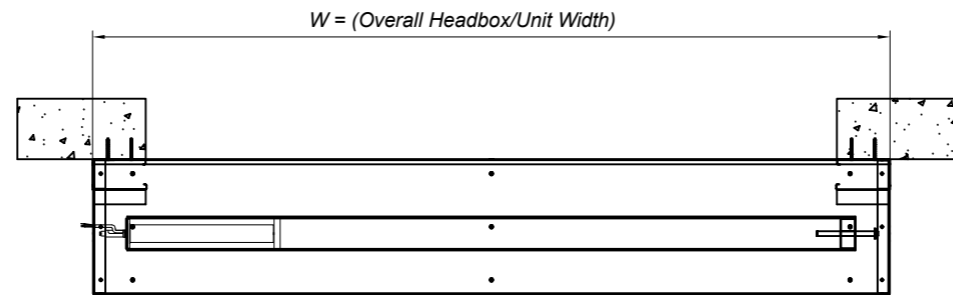
Headbox

Product	Max Width	Max Drop	Fabric
FM Insul8	2.88 metres	3.35 metres	FMI 90



Ignis House, Houghton Avenue  
Waterlooville, Hampshire  
PO7 3DU, UK  
Tel: +44 (0)2392 454 405  
Email: [info@coopersfire.com](mailto:info@coopersfire.com)  
Web: [www.coopersfire.com](http://www.coopersfire.com)

DRAWN: JAR	TITLE: FireMaster® Insul8 - E240 EW240 EI(1)90 EI(2) 90 446 x 480 Headbox & Side Guide Details	
CHECKED: RW	© COOPERS FIRE LIMITED ALL RIGHTS RESERVED. THIS DESIGN MAY NOT BE REPRODUCED IN ANY MATERIAL FORM, INCLUDING ELECTRONICALLY WITHOUT THE WRITTEN PERMISSION OF THE COPYRIGHT NAMES	ALL DIMENSIONS IN MILLIMETRES UNLESS OTHERWISE STATED
APPROVED: RW	DRG. No. 606_2129_MK	ISSUE: 1 DATE: 02.01.2024



HEADBOX		OVERALL DIMENSION		
X(mm)	Y(mm)	W	D	A(mm)
446	480	2.88m	3.35m	178



Ignis House, Houghton Avenue  
Waterlooville, Hampshire  
PO7 3DU, UK  
Tel: +44 (0)2392 454 405  
Email: [info@coopersfire.com](mailto:info@coopersfire.com)  
Web: [www.coopersfire.com](http://www.coopersfire.com)

DRAWN:	TITLE:	
JAR	FireMaster® Insul8 E240 EW240 EI(1)90 EI(2) 90 Curtain Sizes	
CHECKED:	© COOPERS FIRE LIMITED ALL RIGHTS RESERVED. THIS DESIGN MAY NOT BE REPRODUCED IN ANY MATERIAL FORM, INCLUDING ELECTRONICALLY WITHOUT THE WRITTEN PERMISSION OF THE COPYRIGHT NAMES	ALL DIMENSIONS IN MILLIMETRES UNLESS OTHERWISE STATED
RW		
APPROVED:	DRG. No.	ISSUE:
RW	606_2128_MK	1
		DATE: 08.12.2023

NOTE	COMMENT
1	HIGH DENSITY RIGID SUPPORTING CONSTRUCTION AS PER EN 1363-1
2	FIXING TO HOLLOW BRICK, BLOCK OR SIMILAR STRUCTURE IS NOT PERMITTED
3	