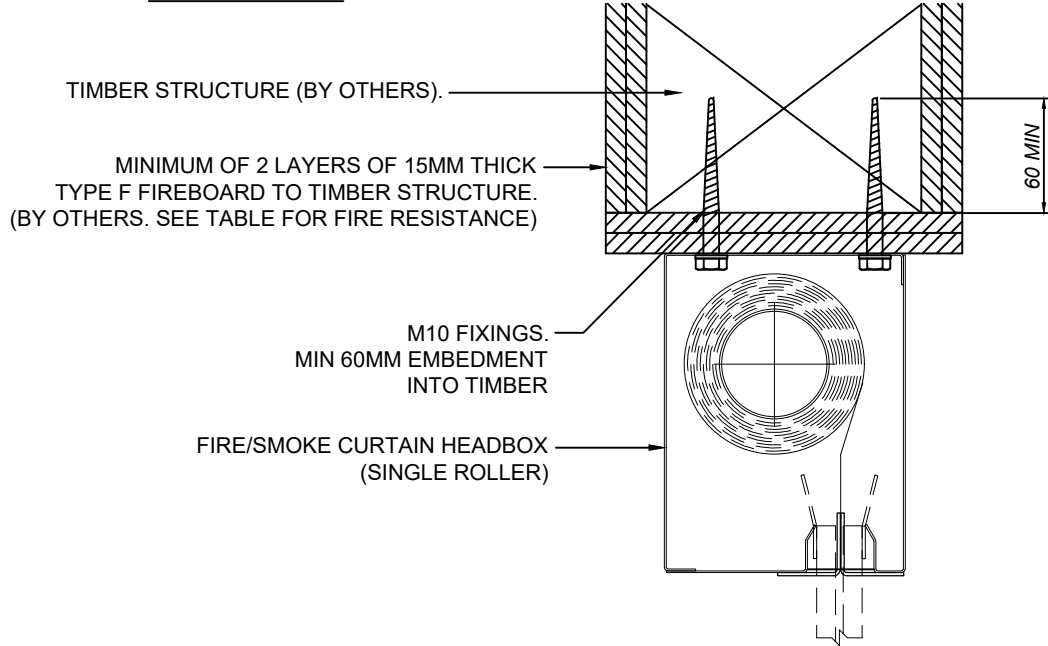
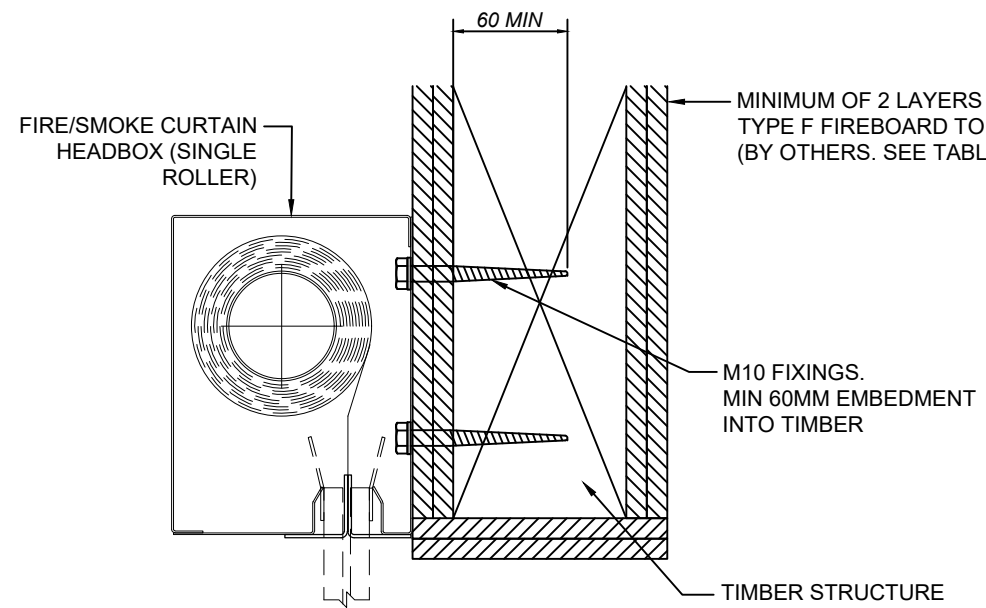


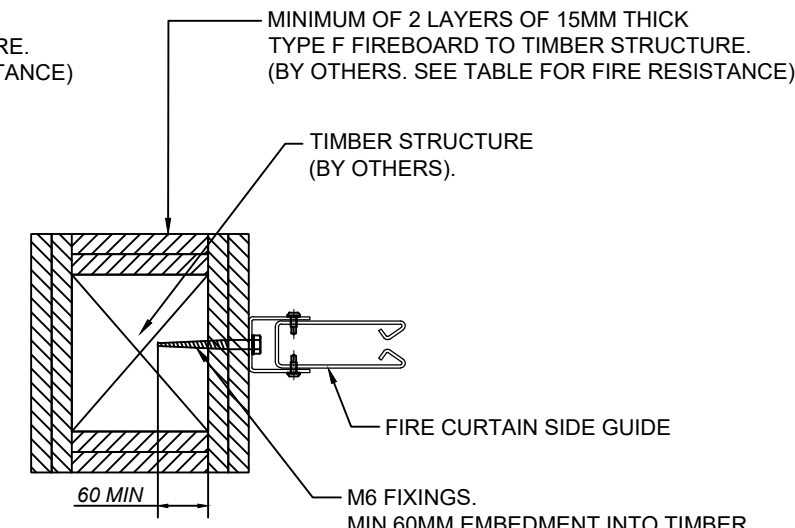
VERTICAL FIRE / SMOKE CURTAIN



HEADBOX TOP FIXING

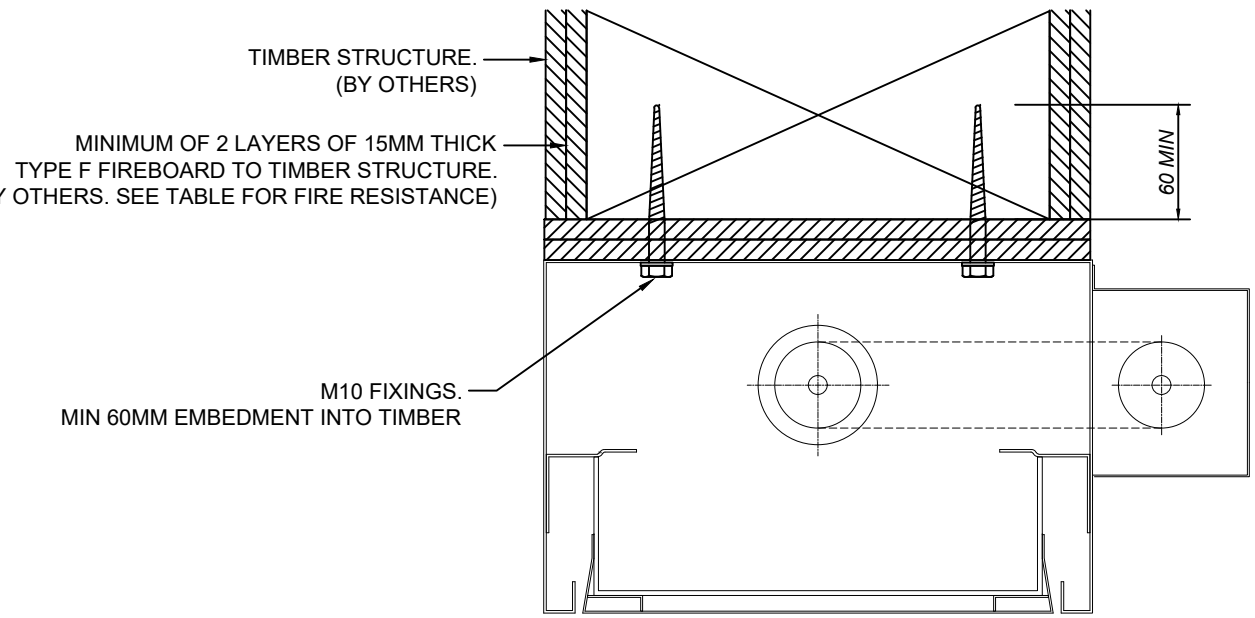


HEADBOX FACE FIXING

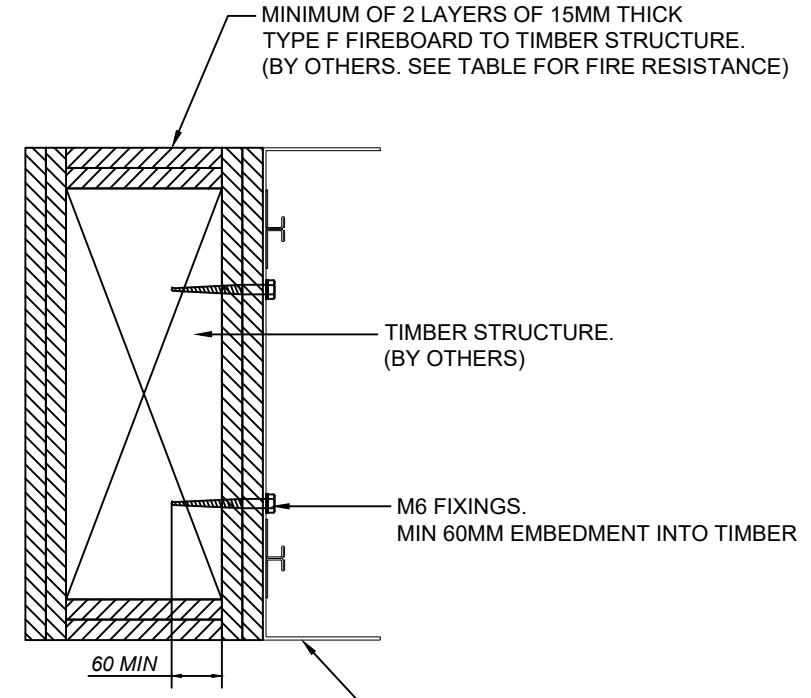


SIDE GUIDE REVEAL FIXING

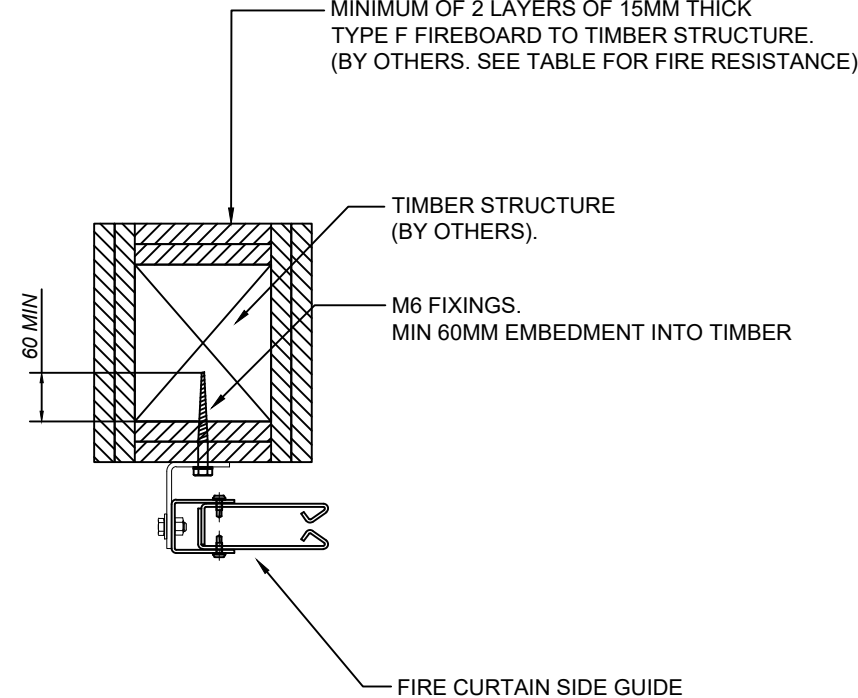
CONCERTINA FIRE / SMOKE CURTAIN



HEADBOX TOP FIXING



SIDE GUIDE FIXING



SIDE GUIDE FACE FIXING

Ignis House, Houghton Avenue
Waterlooville, Hampshire
PO7 3DU, UK
Tel: +44 (0) 23 9245 4405
Fax: +44 (0) 23 9249 2732
Email: info@coopersfire.com
Web: www.coopersfire.com

DRAWN:	TITLE: TYPICAL HEADBOXING & GUIDE FIXING DETAIL INTO FIRE RATED TIMBER	
AH		
CHECKED:	© COOPERS FIRE LIMITED ALL RIGHTS RESERVED. THIS DESIGN MAY NOT BE REPRODUCED IN ANY MATERIAL FORM, INCLUDING ELECTRONICALLY WITHOUT THE WRITTEN PERMISSION OF THE COPYRIGHT NAMES	ALL DIMENSION IN MILLIMETERS UNLESS OTHERWISE STATED
CL		
APPROVED:	DRG. No.	ISSUE: 4
RW	600/639/MK	DATE: 08.09.22

INTEGRITY	REQUIRED PROTECTION TO TIMBER STRUCTURE - ALL BY OTHERS
UP TO E60	2 LAYERS OF 15MM TYPE F FIREBOARD (AS DETAILED)
UP TO E120	3 LAYERS OF 15MM TYPE F FIREBOARD
UP TO E240	2 LAYERS OF 15MM TYPE F FIREBOARD THEN 1 LAYER OF 20MM CALCIUM SILICATE