

FIREMASTER® PLUS² FIRE CURTAIN HEADBOX SECTIONS

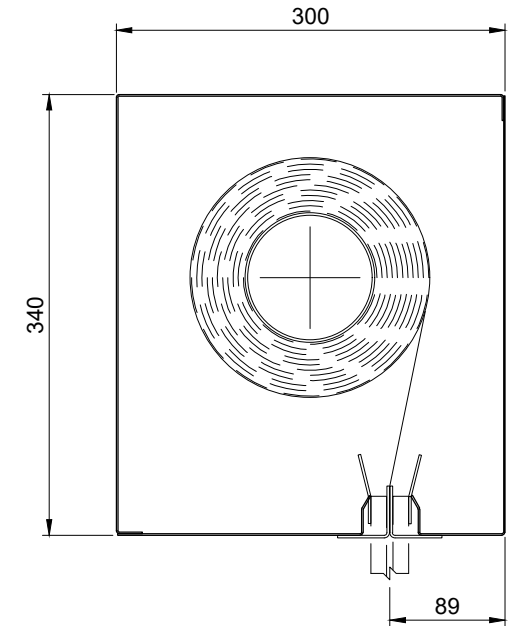
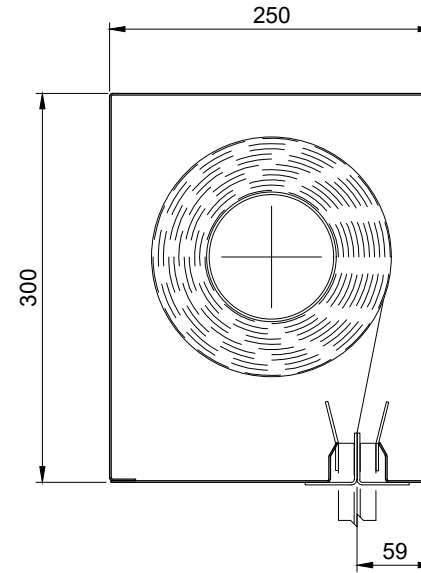
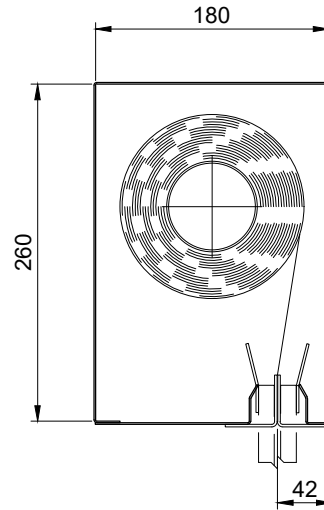
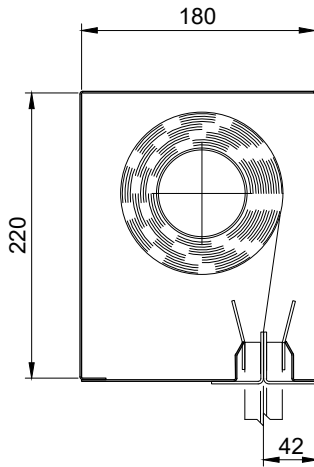
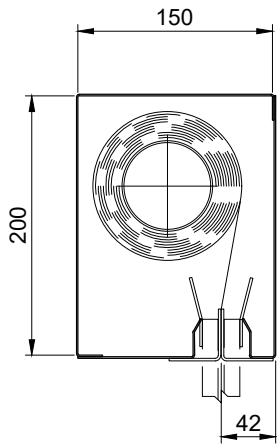
FMP 15/20

FMP 18/22

FMP 18/26

FMP 25/30

FMP 30/34



Product	Max Width	Max Drop
FMP	4m	2.5m
Fabric	EFP™ 2/1000/DGI	

Product	Max Width	Max Drop
FMP	4m	4.0m
Fabric	EFP™ 2/1000/DGI	

Product	Max Width	Max Drop
FMP	4m	6.0m
Fabric	EFP™ 2/1000/DGI	

Product	Max Width	Max Drop
FMP	4m	6.0m
Fabric	EFP™ 2/1000/DGI	

Product	Max Width	Max Drop
FMP	4m	8.0m
Fabric	EFP™ 2/1000/DGI	

NOTE: - Headbox size should allow additional min. 15mm for fixings bolt head

NOTE: - Headbox size should allow additional min. 20mm for fixings bolt head



Ignis House, Houghton Avenue
Waterlooville, Hampshire
PO7 3DU, UK

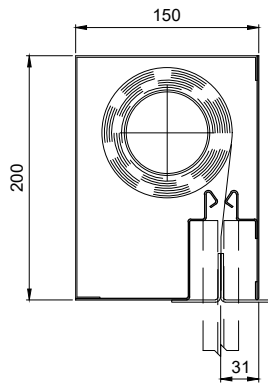
Tel: +44 (0)2392 454 405

Email: info@coopersfire.com
Web: www.coopersfire.com

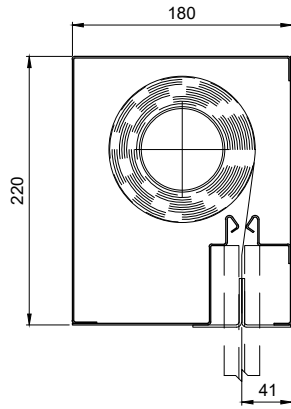
DRAWN: ML	TITLE: FireMaster® Plus² Fire Curtain Headbox/Curtain Size Configuration (TBar)	
CHECKED: JR	© COOPERS FIRE LIMITED ALL RIGHTS RESERVED. THIS DESIGN MAY NOT BE REPRODUCED IN ANY MATERIAL FORM, INCLUDING ELECTRONICALLY WITHOUT THE WRITTEN PERMISSION OF THE COPYRIGHT NAMES	ALL DIMENSIONS IN MILLIMETRES UNLESS OTHERWISE STATED
APPROVED: JR	DRG. No. 607/035//MK	ISSUE: 2 DATE: 15.12.2020

FIREMASTER®/FIREMASTER® PLUS² FIRE CURTAIN WITH SMOKE SEAL HEADBOX CONFIGURATION SECTIONS

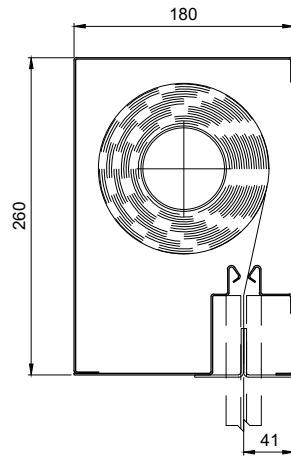
FM 15/20/SS
FMP 15/20/SS



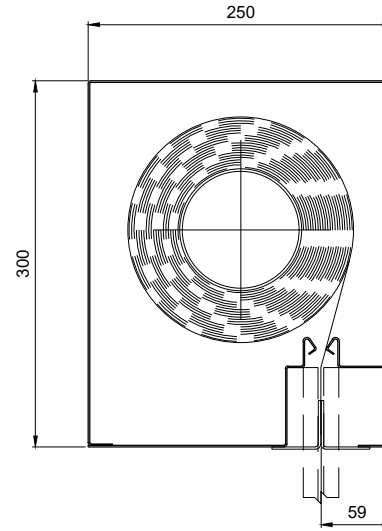
FM 18/22/SS
FMP 18/22/SS



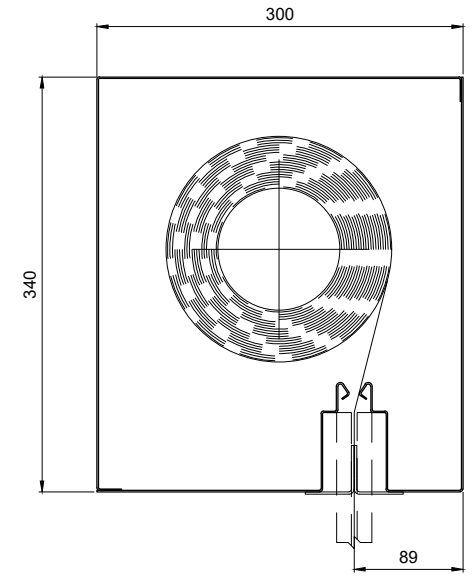
FM 18/26/SS
FMP 18/26/SS



FM 25/30/SS
FMP 25/30/SS



FMP 30/34/SS



Product	Max Width	Max Drop	Fabric
FM	5 metres	3.5 metres	EFP™ A1
FMP	4 metres	2.5 metres	EFP™ 2/1000/DGI

Product	Max Width	Max Drop	Fabric
FM	5 metres	4.5 metres	EFP™ A1
FMP	4 metres	3.0 metres	EFP™ 2/1000/DGI

Product	Max Width	Max Drop	Fabric
FM	5 metres	6.0 metres	EFP™ A1
FMP	4 metres	4.0 metres	EFP™ 2/1000/DGI

Product	Max Width	Max Drop	Fabric
FM	5 metres	6.0 metres	EFP™ A1
FMP	4 metres	6.0 metres	EFP™ 2/1000/DGI

Product	Max Width	Max Drop	Fabric
FM	n/a	n/a	EFP™ A1
FMP	4 metres	8.0 metres	EFP™ 2/1000/DGI



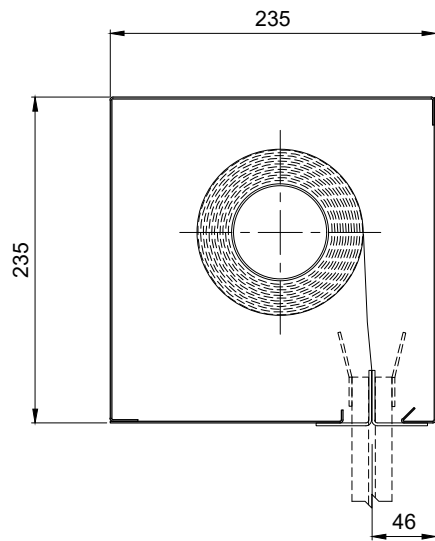
Ignis House, Houghton Avenue
Waterlooville, Hampshire
PO7 3DU, UK
Tel: +44 (0)2392 454 405
Email: info@coopersfire.com
Web: www.coopersfire.com

DRAWN: ML	TITLE: FireMaster®/FireMaster Plus ² with Smoke Seal Headbox and Curtain Size Matrix (T Bbar)
CHECKED: JR	© COOPERS FIRE LIMITED ALL RIGHTS RESERVED. THIS DESIGN MAY NOT BE REPRODUCED IN ANY MATERIAL FORM, INCLUDING ELECTRONICALLY WITHOUT THE WRITTEN PERMISSION OF THE COPYRIGHT NAMES
APPROVED: JR	DRG. No. 600/120/MK
	ISSUE: 2 DATE: 14.12.2020

* SIZES GREATER THAN STATED PLEASE CONTACT COOPERS

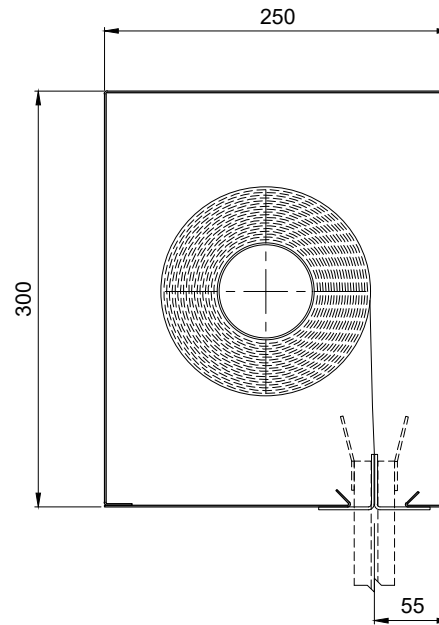
FIREMASTER® PLUS² WIDE SINGLE ROLLER (WSR) FIRE CURTAIN HEADBOX CONFIGURATION SECTIONS

WSR 23/23



FABRIC TYPE	MAX. WIDTH	MAX. DROP
EFP™ 2/1000 DGI	10M	4M

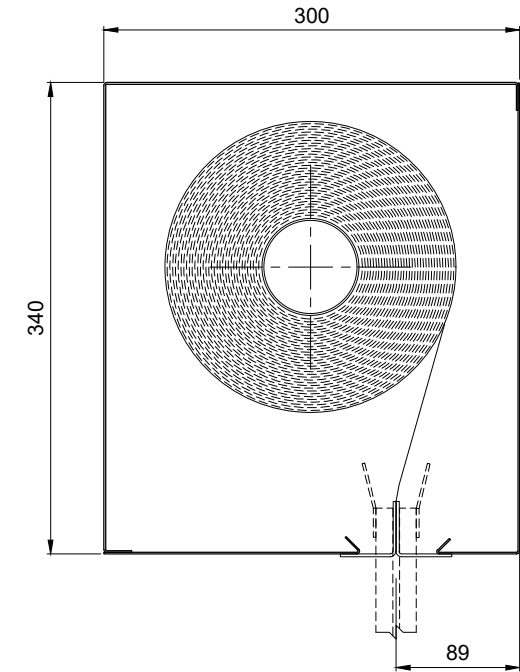
WSR 25/30



FABRIC TYPE	MAX. WIDTH	MAX. DROP
EFP™ 2/1000 DGI	17M	4M
EFP™ 2/1000 DGI	20M	3M

Note: Over 5M drop additional assessment is required

WSR 30/34



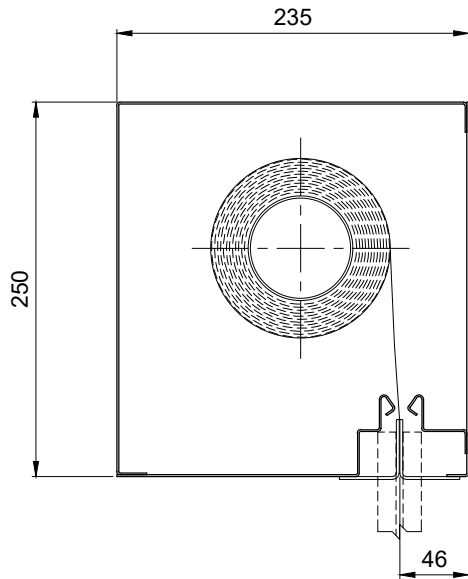
FABRIC TYPE	MAX. WIDTH	MAX. DROP
EFP™ 2/1000 DGI	14M	5M
EFP™ 2/1000 DGI	12M	7M

Note: Over 5M drop additional assessment is required

DRAWN: ML	TITLE: FireMasterPlus² (WSR) Headbox and Curtain Size Matrix (T bar)	
CHECKED: JR	© COOPERS FIRE LIMITED ALL RIGHTS RESERVED. THIS DESIGN MAY NOT BE REPRODUCED IN ANY MATERIAL FORM, INCLUDING ELECTRONICALLY WITHOUT THE WRITTEN PERMISSION OF THE COPYRIGHT NAMES	ALL DIMENSION IN MILLIMETERS UNLESS OTHERWISE STATED
APPROVED: JR	DRG. No. 602/121/MK	ISSUE: 2 DATE: 14.12.2020

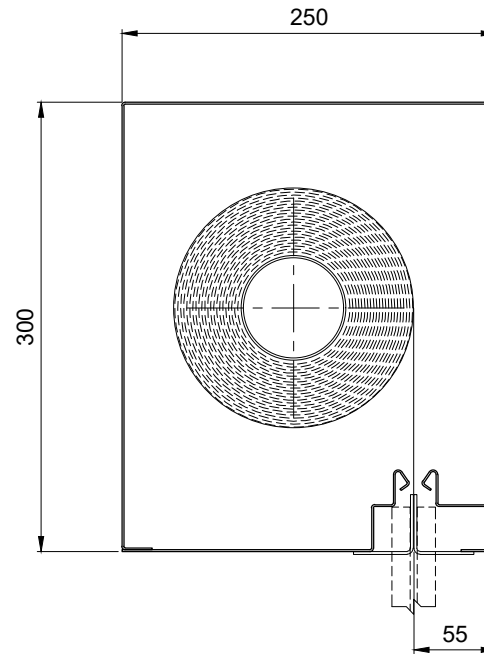
FIREMASTER® PLUS² FIRE CURTAIN WITH SMOKE SEAL WIDE SINGLE ROLLER (WSR) HEADBOX SECTIONS

WSR 23/25/SS



FABRIC TYPE	MAX. WIDTH	MAX. DROP
EFP™ 2/1000 DGI	10M	4M

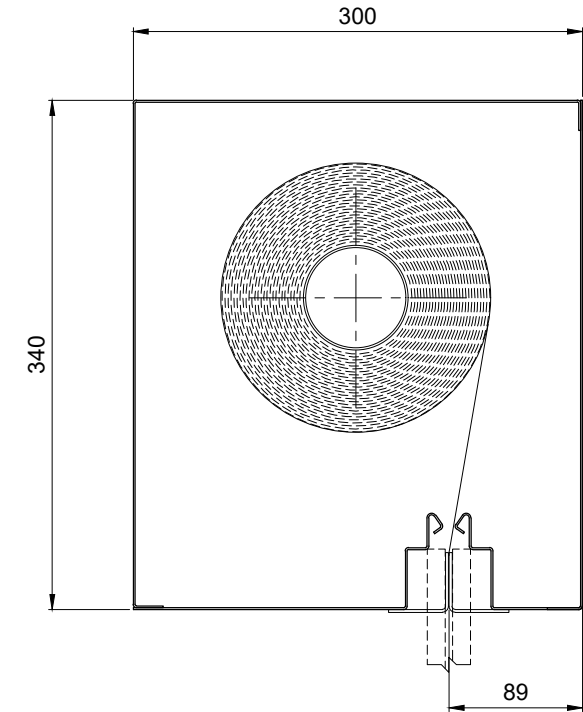
WSR 25/30/SS



FABRIC TYPE	MAX. WIDTH	MAX. DROP
EFP™ 2/1000 DGI	17M	4M
EFP™ 2/1000 DGI	20M	3M

Note: Over 5M drop additional assessment is required

WSR 30/34/SS



FABRIC TYPE	MAX. WIDTH	MAX. DROP
EFP™ 2/1000 DGI	14M	5M
EFP™ 2/1000 DGI	12M	7M

Note: Over 5M drop additional assessment is required



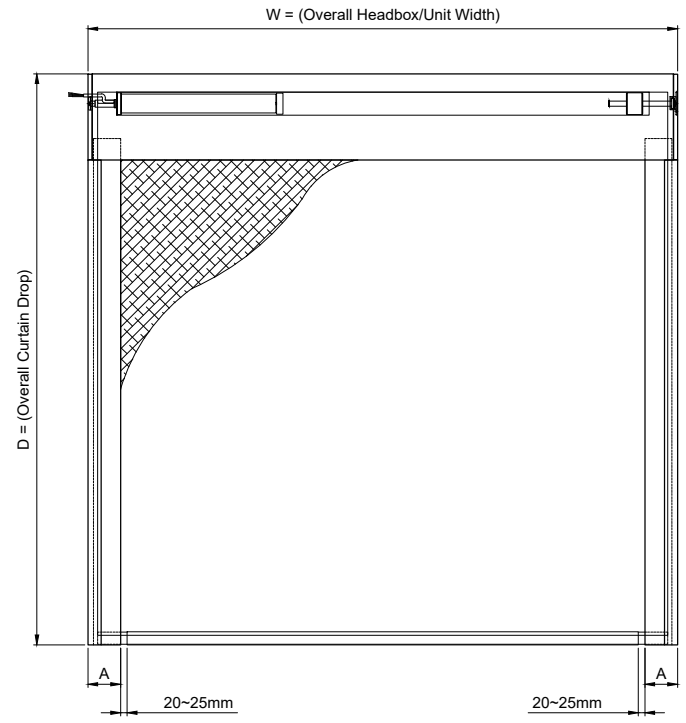
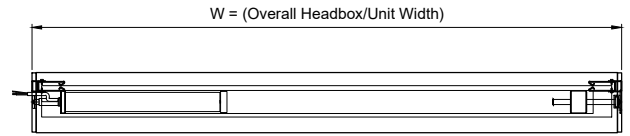
Ignis House, Houghton Avenue
Waterlooville, Hampshire
PO7 3DU, UK

Tel: +44 (0)2392 454 405

Email: info@coopersfire.com
Web: www.coopersfire.com

DRAWN: ML	TITLE: FireMaster® Plus² WSR with Smoke Seal Headbox and Curtain Size Matrix (T Bbar)
CHECKED: JR	<small>© COOPERS FIRE LIMITED ALL RIGHTS RESERVED. THIS DESIGN MAY NOT BE REPRODUCED IN ANY MATERIAL FORM, INCLUDING ELECTRONICALLY WITHOUT THE WRITTEN PERMISSION OF THE COPYRIGHT NAMES</small>
APPROVED: JR	<small>ALL DIMENSIONS IN MILLIMETRES UNLESS OTHERWISE STATED</small>
DRG. No. 602/155/MK	ISSUE: 2 DATE: 14.12.2020

* SIZES GREATER THAN STATED PLEASE CONTACT COOPERS



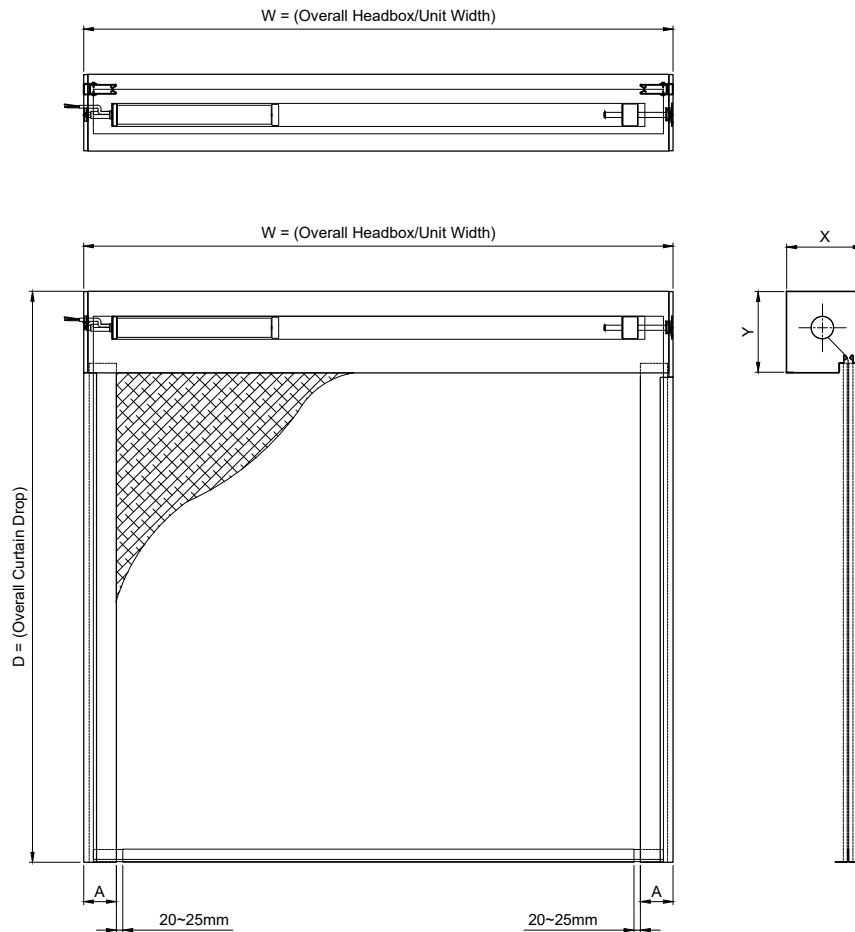
HEADBOX		OVERALL DIMENSION		
X (mm)	Y (mm)	W	D	A (mm)
150	200	< 4m	< 2.5m	90 - 100
180	220	< 4m	< 3.0m	90 - 100
180	260	< 4m	< 4.0m	90 - 100
250	300	< 4m	< 6.0m	90 - 100
300	340	< 4m	< 8.0m	123 - 133



Ignis House, Houghton Avenue
Waterlooville, Hampshire
PO7 3DU, UK
Tel: +44 (0)2392 454 405
Email: info@coopersfire.com
Web: www.coopersfire.com

DRAWN: ML	TITLE: FireMaster® Plus² with Smoke Seal Matrix of Sizes (EFP™ 2/1000/DGI) - Tbar	
CHECKED: JR	© COOPERS FIRE LIMITED ALL RIGHTS RESERVED. THIS DESIGN MAY NOT BE REPRODUCED IN ANY MATERIAL FORM, INCLUDING ELECTRONICALLY WITHOUT THE WRITTEN PERMISSION OF THE COPYRIGHT NAMES	ALL DIMENSIONS IN MILLIMETRES UNLESS OTHERWISE STATED
APPROVED: JR	DRG. No. 607/044/MK	ISSUE: 2 DATE: 15.12.2020

NOTE: - SIZES OUTSIDE THESE STANDARDS - PLEASE CONTACT COOPERS



HEADBOX		OVERALL DIMENSION		
X (mm)	Y (mm)	W	D	A (mm)
235	250	< 10m	< 4.0m	90 - 100
		< 17m	< 4.0m	90 - 100
250	300	< 7m	< 5.0m	90 - 100
		< 20m	< 4.0m	90 - 100
300	340	< 7m	< 5.0m	90 - 100

Note: Over 5M drop additional assessment is required



Ignis House, Houghton Avenue
Waterlooville, Hampshire
PO7 3DU, UK

Tel: +44 (0)2392 454 405

Email: info@coopersfire.com
Web: www.coopersfire.com

DRAWN: ML	TITLE: FireMaster® Plus² WSR (Smoke Seal) Matrix of Sizes (EFP™ 2/1000/DGI) - Tbar
CHECKED: JR	© COOPERS FIRE LIMITED ALL RIGHTS RESERVED. THIS DESIGN MAY NOT BE REPRODUCED IN ANY MATERIAL FORM, INCLUDING ELECTRONICALLY WITHOUT THE WRITTEN PERMISSION OF THE COPYRIGHT NAMES
APPROVED: JR	DRG. No. 602/163/MK
	ISSUE: 2 DATE: 14.12.2020

NOTE: -
SIZES OUTSIDE THESE STANDARDS - PLEASE CONTACT COOPERS