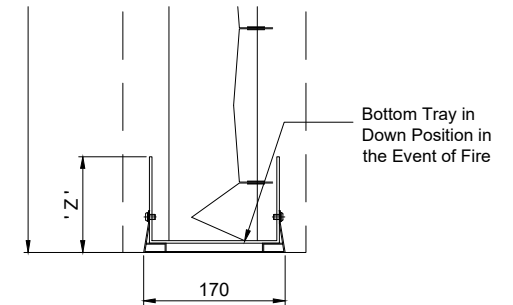
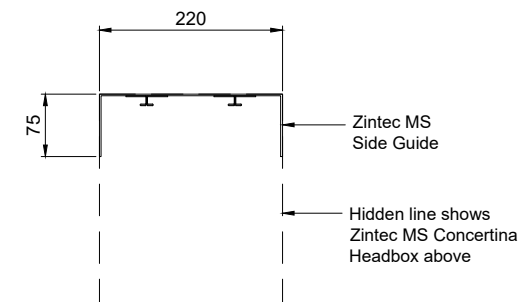


HEADBOX DETAIL



BOTTOM TRAY DETAIL SECTION A



SIDE GUIDE DETAIL

NOTE: -

1. Number of motor(s) and location depends on curtain overall dimension
2. Number of sides depends on radius and ceiling slot width
3. Headbox size should allow additional 15mm for fixings bolt head



**coopers**  
Coopers Fire Limited

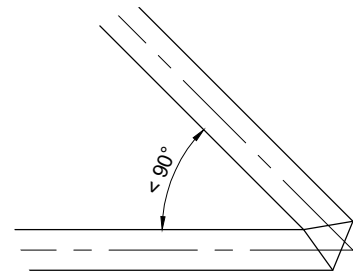
Ignis House, Houghton Avenue  
Waterlooville, Hampshire  
PO7 3DU, UK

Tel: +44 (0)2392 454 405

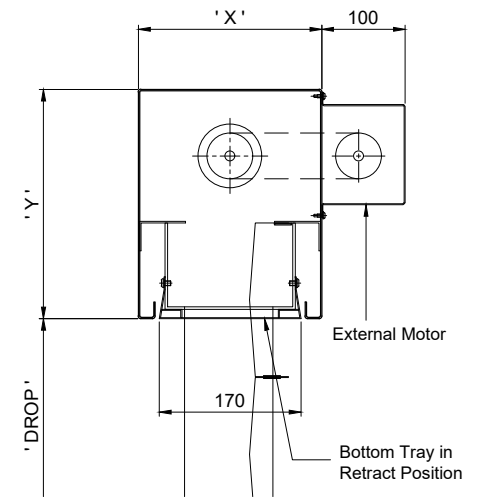
Email: info@coopersfire.com  
Web: www.coopersfire.com

DRAWN:	ML	TITLE:	FireMaster® Concertina™ - Open Typical Arrangement - Compact Box
CHECKED:	JR	© COOPERS FIRE LIMITED ALL RIGHTS RESERVED. THIS DESIGN MAY NOT BE REPRODUCED IN ANY MATERIAL FORM, INCLUDING ELECTRONICALLY WITHOUT THE WRITTEN PERMISSION OF THE COPYRIGHT NAMES	ALL DIMENSIONS IN MILLIMETRES UNLESS OTHERWISE STATED
APPROVED:	JR	DRG. No.	604/022/MK
		ISSUE:	2
		DATE:	14.12.2020

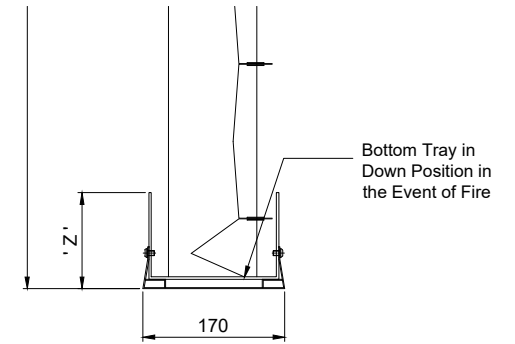
HEADBOX SIZE		Z (mm)	CURTAIN DIMENSION		
X (mm)	Y (mm)		RADIUS	DROP	ANGLE
220	275	115	Unlimited	< 3m	45° - 180°
220	340	180	Unlimited	< 5m	45° - 180°



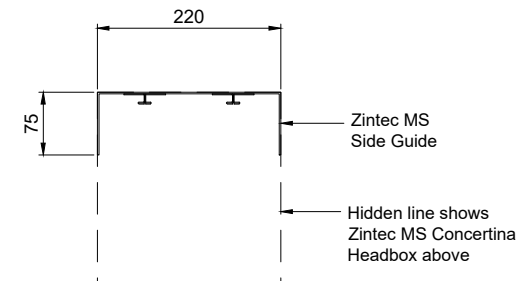
LESS THAN 90 DEG DETAIL



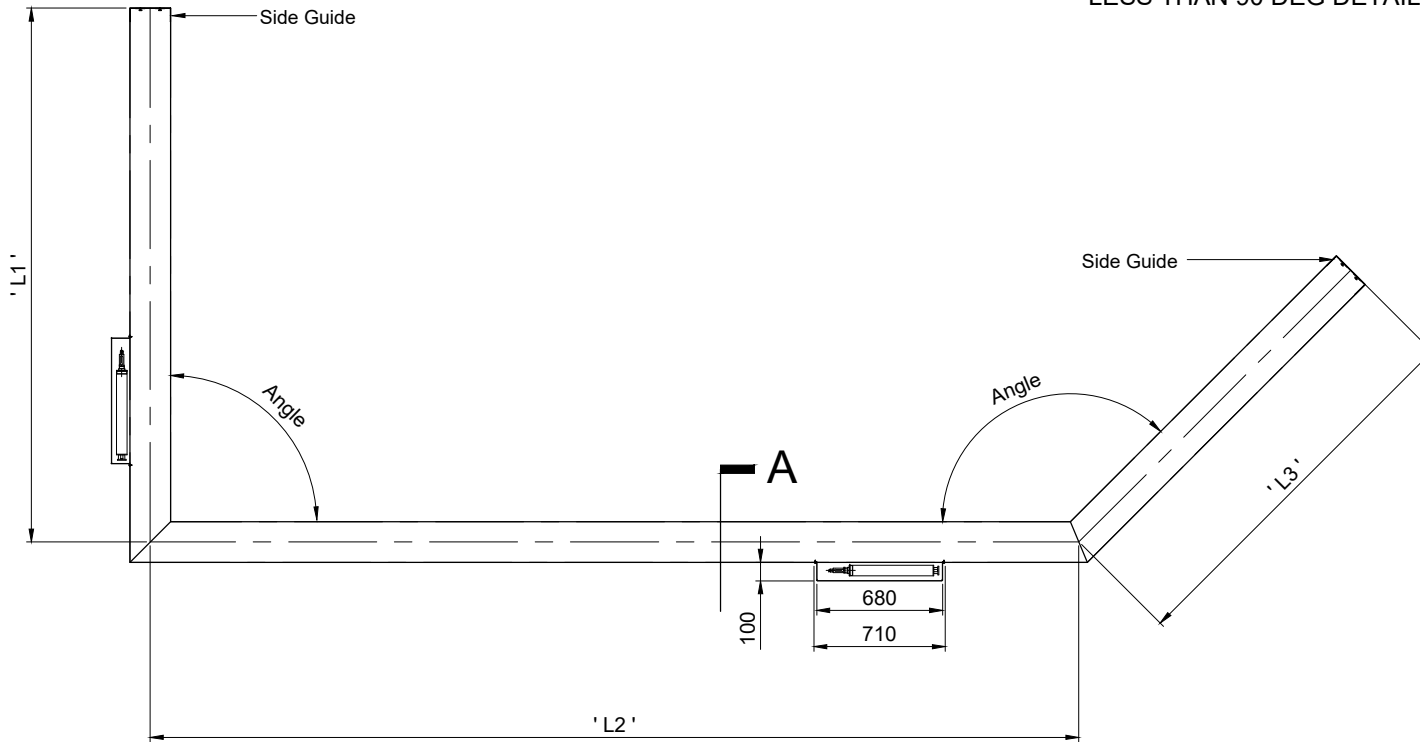
HEADBOX DETAIL



BOTTOM TRAY DETAIL SECTION A



SIDE GUIDE DETAIL



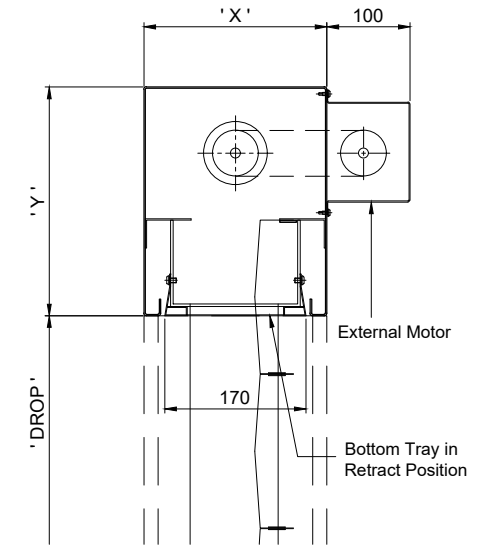
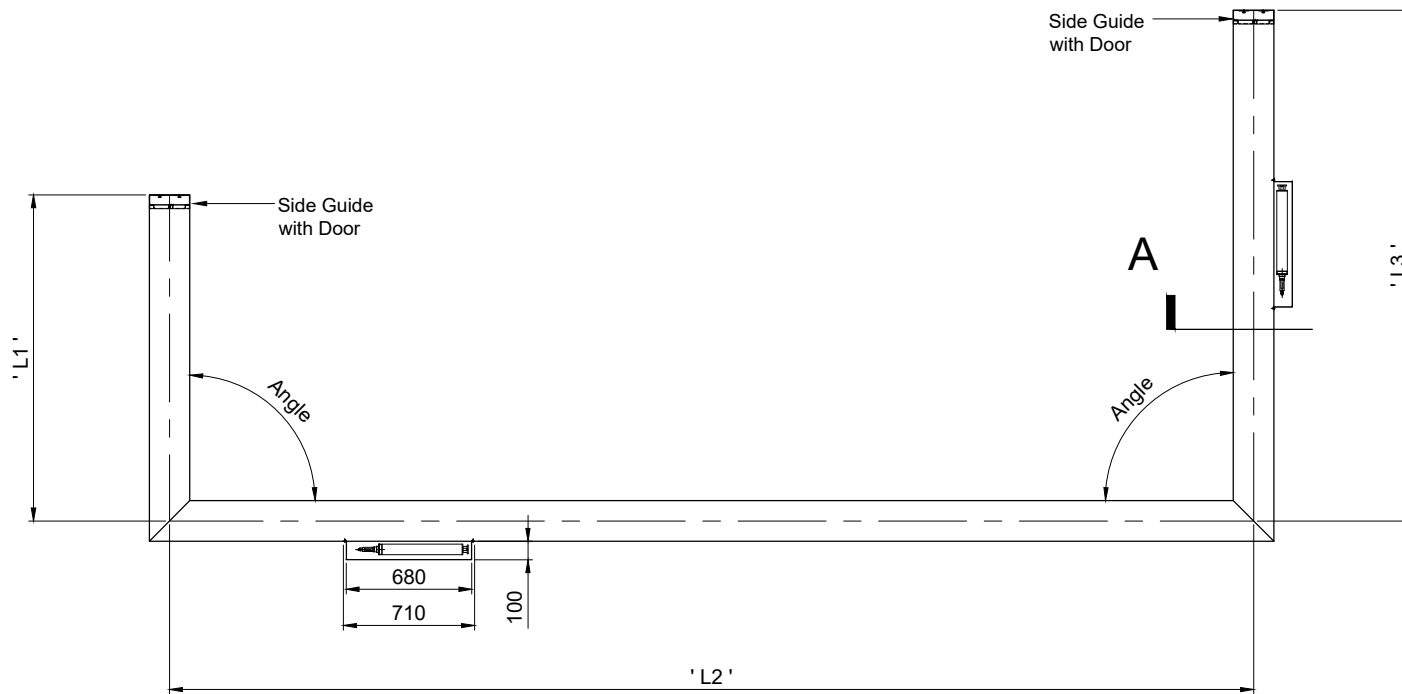
NOTE: - Number of motor(s) and location depends on curtain overall dimension  
 - Headbox size should allow additional 15mm for fixings bolt head

HEADBOX SIZE		Z (mm)	CURTAIN DIMENSION		
X (mm)	Y (mm)		L - WIDTH	DROP	ANGLE
220	275	115	Unlimited	< 3m	45° - 180°
220	340	180	Unlimited	< 5m	45° - 180°

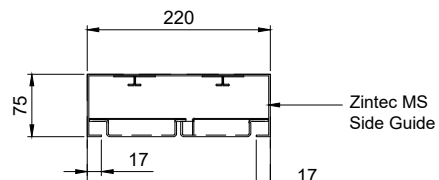


Ignis House, Houghton Avenue  
 Waterlooville, Hampshire  
 PO7 3DU, UK  
 Tel: +44 (0)2392 454 405  
 Email: info@coopersfire.com  
 Web: www.coopersfire.com

DRAWN: ML	TITLE: FireMaster® Concertina™ - Open Typical Arrangement - Compact Box	
CHECKED: JR	© COOPERS FIRE LIMITED ALL RIGHTS RESERVED. THIS DESIGN MAY NOT BE REPRODUCED IN ANY MATERIAL FORM, INCLUDING ELECTRONICALLY WITHOUT THE WRITTEN PERMISSION OF THE COPYRIGHT NAMES	ALL DIMENSIONS IN MILLIMETRES UNLESS OTHERWISE STATED
APPROVED: JR	DRG. No. 604/032/MK	ISSUE: 2 DATE: 14.12.2020

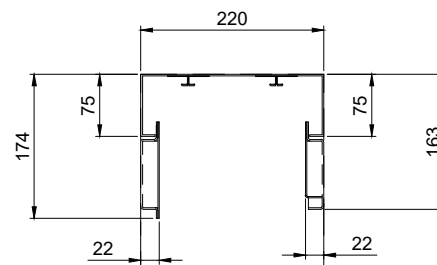


HEADBOX DETAIL

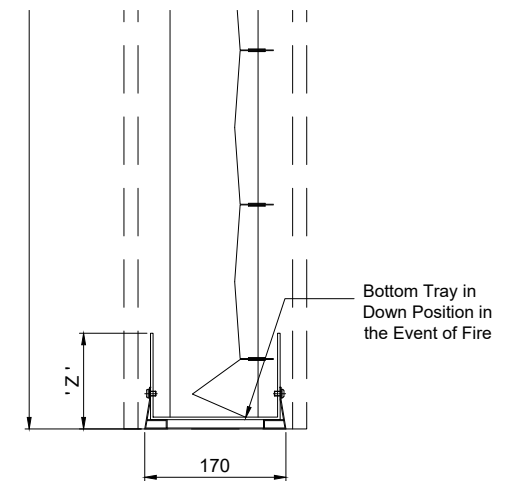


DOOR CLOSED

\* DOOR MAX. HEIGHT = 3M



DOOR OPENED



BOTTOM TRAY DETAIL SECTION A

NOTE: - Number of motor(s) and location depends on curtain overall dimension  
 - Headbox size should allow additional 15mm for fixings bolt head

HEADBOX SIZE		Z (mm)	CURTAIN DIMENSION		
X (mm)	Y (mm)		L - WIDTH	DROP	ANGLE
220	275	115	Unlimited	< 3m	45° - 180°
220	340	180	Unlimited	< 5m	45° - 180°



Ignis House, Houghton Avenue  
 Waterlooville, Hampshire  
 PO7 3DU, UK  
 Tel: +44 (0)2392 454 405  
 Email: info@coopersfire.com  
 Web: www.coopersfire.com

DRAWN:	ML	TITLE:	Open FireMaster® Concertina™ with Side Guide Door Typical Arrangement - Compact Box
CHECKED:	JR	© COOPERS FIRE LIMITED ALL RIGHTS RESERVED. THIS DESIGN MAY NOT BE REPRODUCED IN ANY MATERIAL FORM, INCLUDING ELECTRONICALLY WITHOUT THE WRITTEN PERMISSION OF THE COPYRIGHT NAMES	ALL DIMENSIONS IN MILLIMETRES UNLESS OTHERWISE STATED
APPROVED:	JR	DRG. No.	604/014/MK
		ISSUE:	2
		DATE:	14.12.2020