
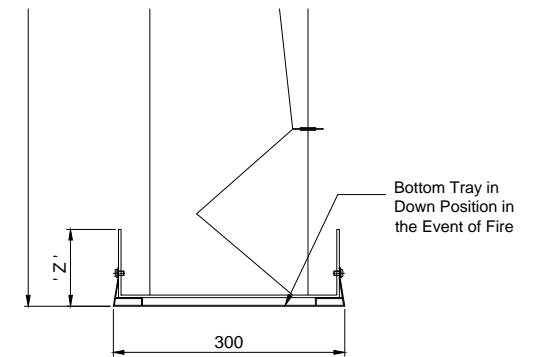
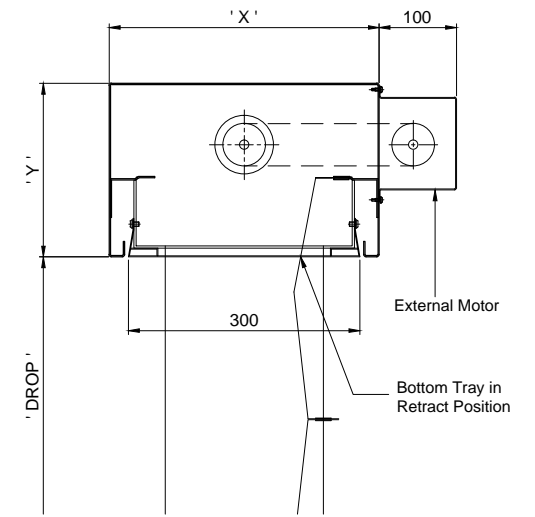
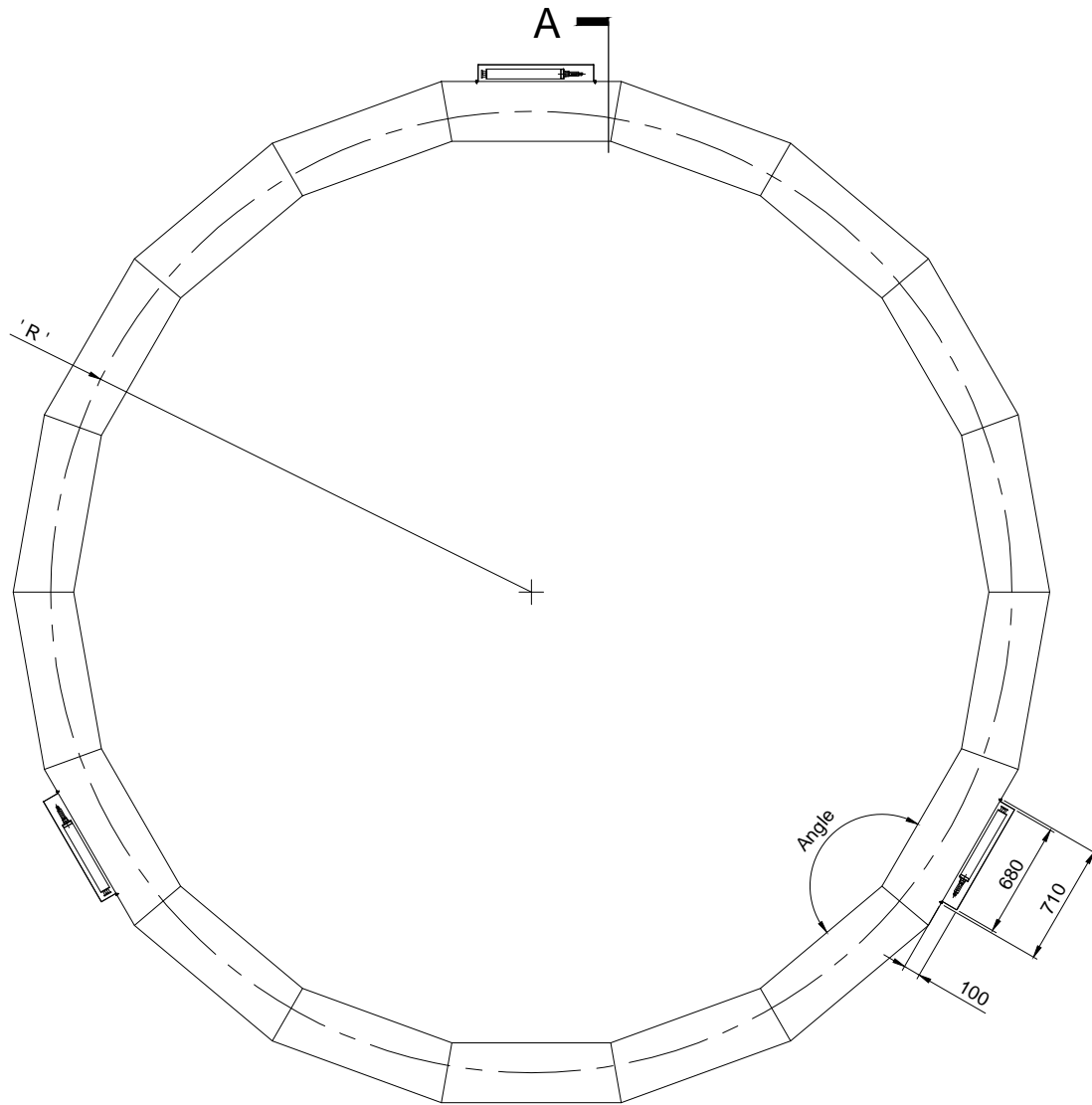


BOTTOM TRAY DETAIL
SECTION A

NOTE: - Number of motor(s) and location depends on curtain overall dimension
 - Headbox size should allow additional 15mm for fixings bolt head

 <p>Edward House, Penner Road, Havant, Hampshire, PO9 1QZ, UK Tel: +44 (0)2392 454 405 Email: info@coopersfire.com Web: www.coopersfire.com</p>	DRAWN:	TITLE: FireMaster® Concertina™ - Closed Typical Arrangement	
	CHECKED:	ML	ALL DIMENSIONS IN MILLIMETRES UNLESS OTHERWISE STATED
	APPROVED:	JR	DRG. No. 604/001/MK
		JR	ISSUE: 1 DATE: 22.06.2018

HEADBOX SIZE		Z (mm)	CURTAIN DIMENSION		
X (mm)	Y (mm)		L - WIDTH	DROP	ANGLE
350	225	100	Unlimited	< 4m	45° - 180°
350	300	175	Unlimited	< 8m	45° - 180°



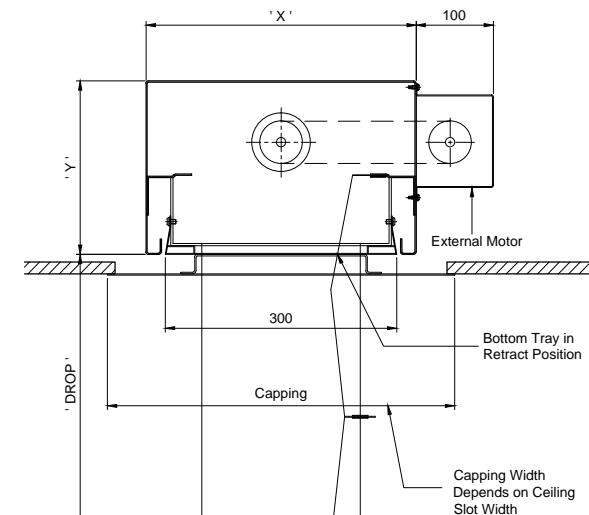
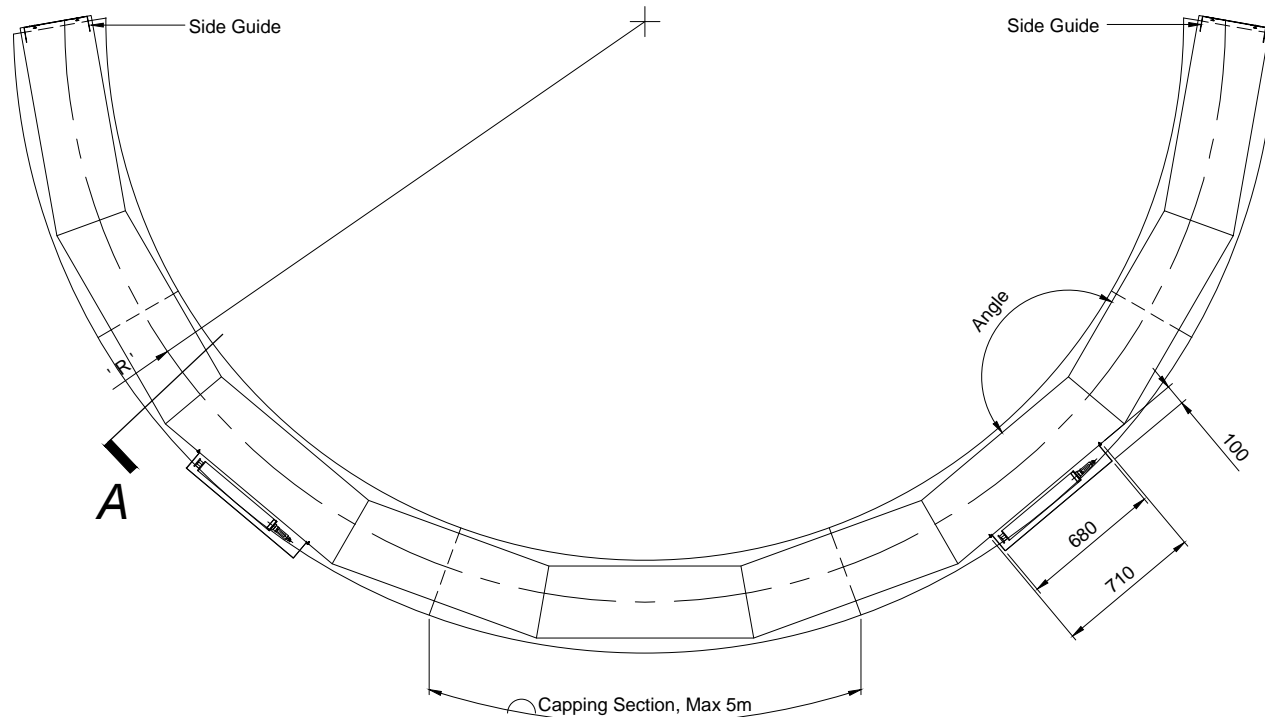
- NOTE: -
1. Number of motor(s) and location depends on curtain overall dimension
 2. Minimum 5 sides required
 3. Number of sides depends on radius and ceiling slot width
 4. Headbox size should allow additional 15mm for fixings bolt head



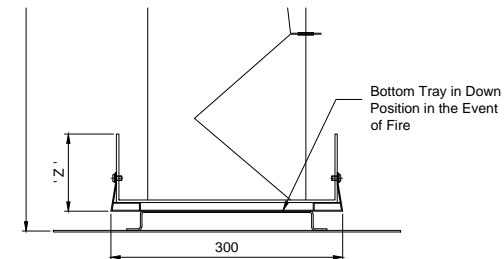
Edward House, Penner Road,
Havant, Hampshire, PO9 1QZ, UK
Tel: +44 (0)2392 454 405
Email: info@coopersfire.com
Web: www.coopersfire.com

DRAWN:	ML	TITLE:	FireMaster® Concertina™ - Closed Typical Arrangement
CHECKED:	JR	© 1997-2018 COOPERS FIRE LIMITED ALL RIGHTS RESERVED. THIS DESIGN MAY NOT BE REPRODUCED IN ANY MATERIAL FORM, INCLUDING ELECTRONICALLY WITHOUT THE WRITTEN PERMISSION OF THE COPYRIGHT NAMES	ALL DIMENSIONS IN MILLIMETRES UNLESS OTHERWISE STATED
APPROVED:	JR	DRG. No.	604/003/MK
		ISSUE:	1
		DATE:	22.06.2018

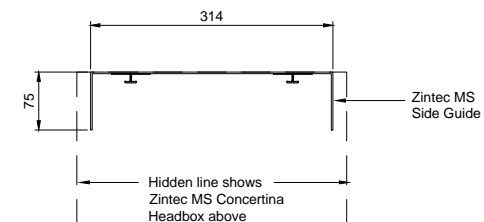
HEADBOX SIZE		Z (mm)	CURTAIN DIMENSION		
X (mm)	Y (mm)		RADIUS	DROP	NO OF ANGLE
350	225	100	Unlimited	< 4m	Min. 5
350	300	175	Unlimited	< 8m	Min. 5



HEADBOX DETAIL



BOTTOM TRAY DETAIL SECTION A



SIDE GUIDE DETAIL

NOTE: -

1. Number of motor(s) and location depends on curtain overall dimension and the weight of capping
2. Number of sides depends on radius and ceiling slot width
3. Capping width depends on ceiling slot width
4. If capping is required, it is supplied in pre-curved sections and each section is butted up to the next
5. Headbox size should allow additional 15mm for fixings bolt head

<p>Edward House, Penner Road, Havant, Hampshire, PO9 1QZ, UK</p> <p>Tel: +44 (0)2392 454 405</p> <p>Email: info@coopersfire.com Web: www.coopersfire.com</p>	DRAWN:	TITLE:	
	ML	FireMaster® Concertina™ - Open Typical Arrangement - Capping Proposal	
	CHECKED:	<small>© 1997-2018 COOPERS FIRE LIMITED ALL RIGHTS RESERVED. THIS DESIGN MAY NOT BE REPRODUCED IN ANY MATERIAL FORM, INCLUDING ELECTRONICALLY WITHOUT THE WRITTEN PERMISSION OF THE COPYRIGHT NAMES</small>	ALL DIMENSIONS IN MILLIMETRES UNLESS OTHERWISE STATED
	JR	APPROVED:	1
	DRG. No.	604/029/MK	DATE: 22.06.2018

HEADBOX SIZE		Z (mm)	CURTAIN DIMENSION		
X (mm)	Y (mm)		RADIUS	DROP	ANGLE
350	225	100	Unlimited	< 4m	45° - 180°
350	300	175	Unlimited	< 8m	45° - 180°