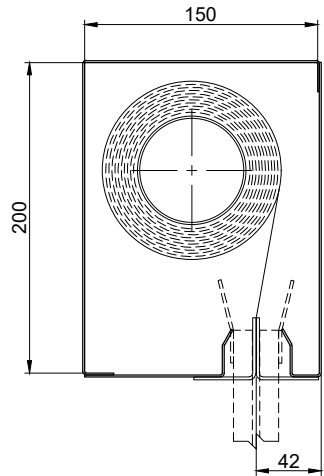


FIREMASTER® UL 10D ONLY FIRE CURTAIN STANDARD HEADBOX SECTIONS

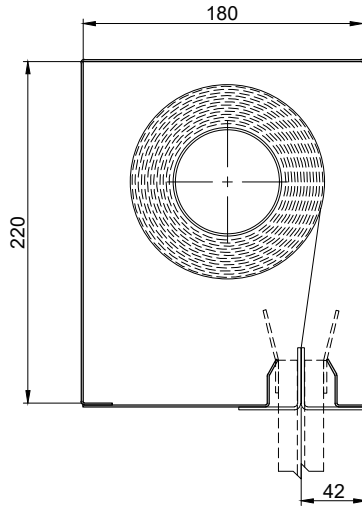
SINGLE ROLLER UNITS

MULTIPLE ROLLER UNITS

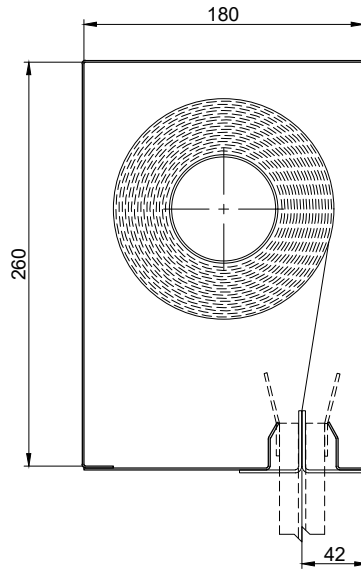
FM 15/20



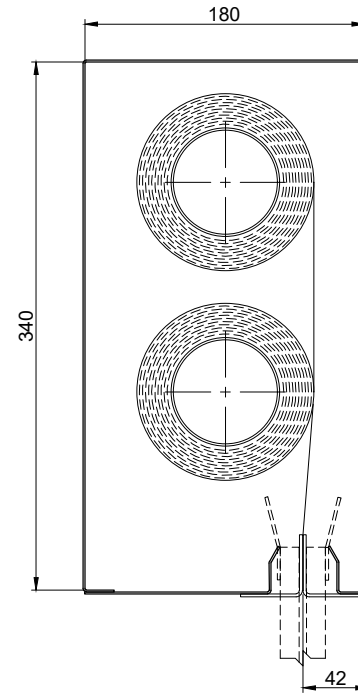
FM 18/22



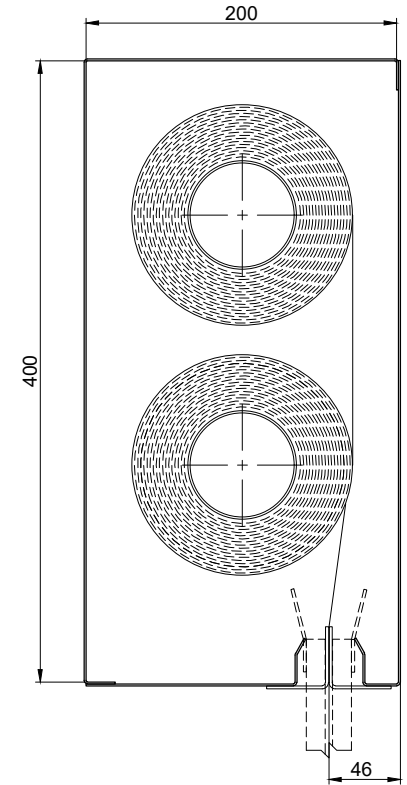
FM 18/26



FM 18/34



FM 20/40



Product	Max Width	Max Drop	Fabric
FM	5m	4.0m	EFPTM A1

Product	Max Width	Max Drop	Fabric
FM	5m	6.0m	EFPTM A1

Product	Max Width	Max Drop	Fabric
FM	5m	8.0m	EFPTM A1

Product	Max * Width	Max Drop	Fabric
FM	Contact Coopers	4.0m	EFPTM A1

Product	Max * Width	Max Drop	Fabric
FM	Contact Coopers	8.0m	EFPTM A1



Ignis House, Houghton Avenue
Waterlooville, Hampshire
PO7 3DU, UK

Tel: +44 (0)2392 454 405

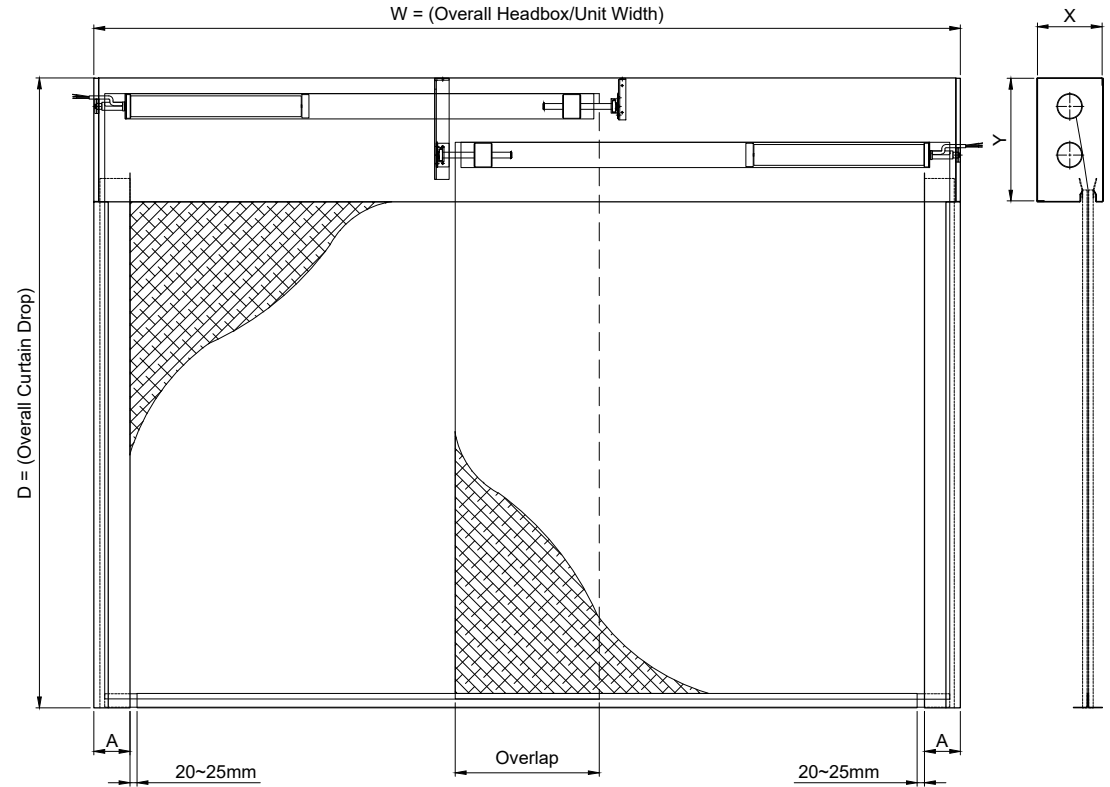
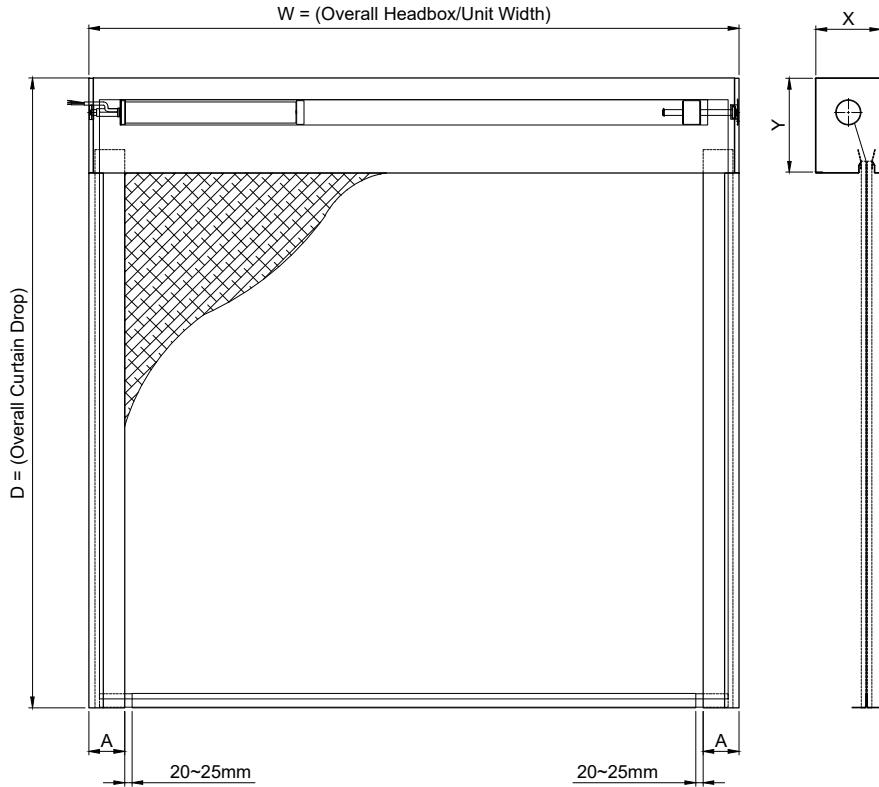
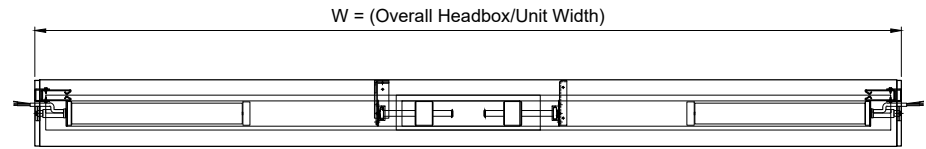
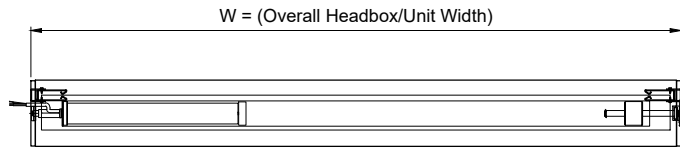
Email: info@coopersfire.com
Web: www.coopersfire.com

DRAWN: ML	TITLE: FireMaster® UL 10D Fire Curtain Headbox/Size Configuration - TBar
CHECKED: JR	© COOPERS FIRE LIMITED ALL RIGHTS RESERVED. THIS DESIGN MAY NOT BE REPRODUCED IN ANY MATERIAL FORM, INCLUDING ELECTRONICALLY WITHOUT THE WRITTEN PERMISSION OF THE COPYRIGHT NAMES
APPROVED: JR	DRG. No. 606/361/MK
	ISSUE: 1 DATE: 16.12.2020

NOTE: -

* Contact Coopers for Maximum width.
Max. Width with overlap join, maximum width per roller subject to curtain drop

Headbox size should allow additional min. 15mm for fixings bolt head
Sizes outside these standards - please contact Coopers



HEADBOX SIZE		OVERALL DIMENSION		
X (mm)	Y (mm)	W	D	A (mm)
150	200	< 5m	< 4m	90 - 100
180	220	< 5m	< 6m	90 - 100
180	260	< 5m	< 8m	123 - 133

HEADBOX SIZE		OVERALL DIMENSION		
X (mm)	Y (mm)	Max. W *	D	A (mm)
180	340	Contact Coopers	< 4m	90 - 100
200	400	Contact Coopers	< 8m	123 - 133



Ignis House, Houghton Avenue
Waterlooville, Hampshire
PO7 3DU, UK

Tel: +44 (0)2392 454 405

Email: info@coopersfire.com
Web: www.coopersfire.com

DRAWN: ML	TITLE: FireMaster® UL 10D Fire Curtain Matrix of Sizes - TBar (EFP™ A1)
CHECKED: JR	© COOPERS FIRE LIMITED ALL RIGHTS RESERVED. THIS DESIGN MAY NOT BE REPRODUCED IN ANY MATERIAL FORM, INCLUDING ELECTRONICALLY WITHOUT THE WRITTEN PERMISSION OF THE COPYRIGHT NAMES ALL DIMENSIONS IN MILLIMETRES UNLESS OTHERWISE STATED
APPROVED: JR	DRG. No. 606/362/MK ISSUE: 1 DATE: 17.12.2020

NOTE: -

* Contact Coopers for Maximum width.
Max. Width with overlap join, maximum width per roller subject to curtain drop

Headbox size should allow additional min. 15mm for fixings bolt head
Sizes outside these standards - please contact Coopers