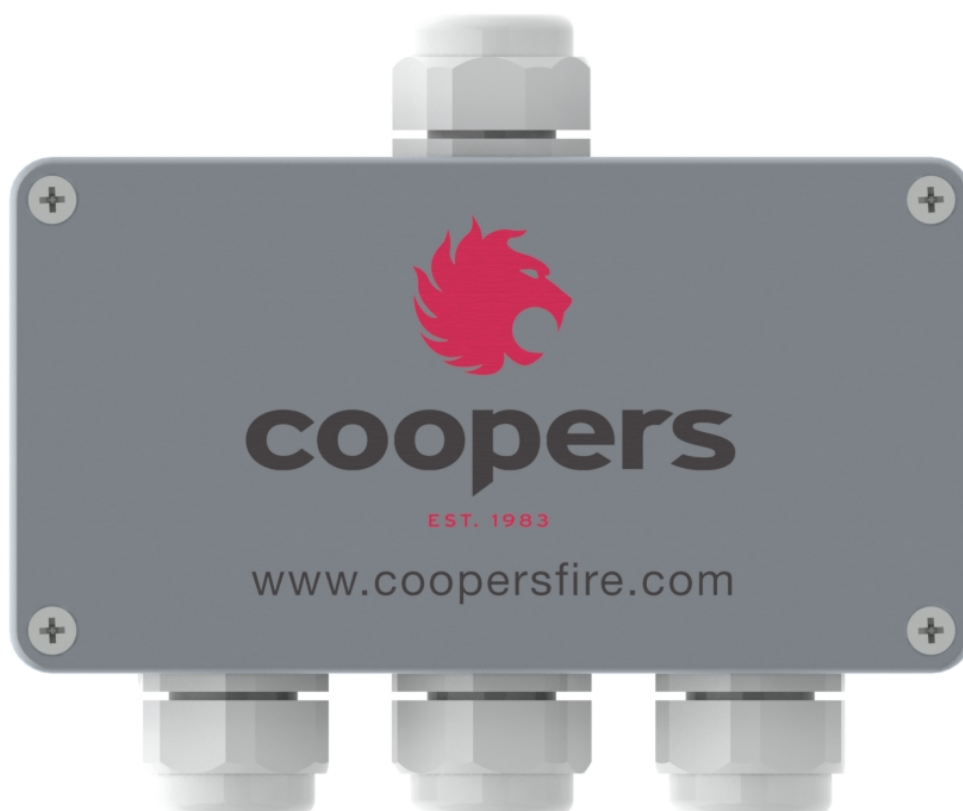


# DATA SHEET

## MK5 BMS INTERFACE

PRODUCT CODE: 34117 (MKBI-1)

VERSION: Issue B - May 2020

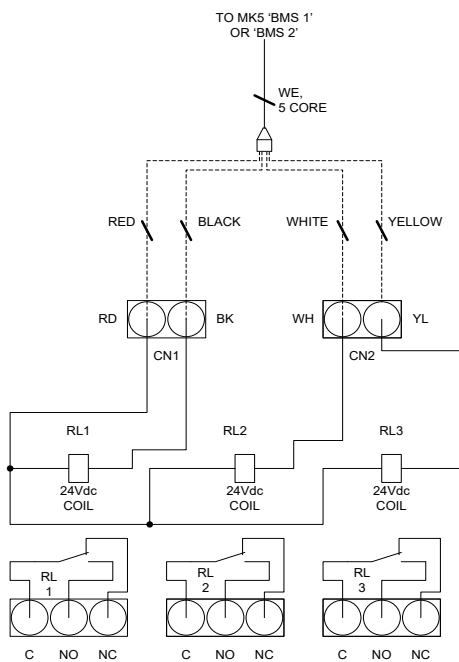


# MK5 BMS INTERFACE

## PRODUCT DESCRIPTION

The MK5 BMS Interface can be connected to the MK5 Fire/Smoke curtain control unit and provide volt-free contact outputs to signal the status of the control system and associated Fire/Smoke curtain.

## CONNECTION DETAILS



BMS1	Curtain Fault	Curtain Up	Curtain Down
BMS2	Battery Low	Battery Disconnect	Battery Fault

## SPECIFICATION

**Model**  
MK5BI-1

**Input Voltage**  
24Vdc from MK5 control panel

**Output**  
3 x NC/ NO volt-free contacts

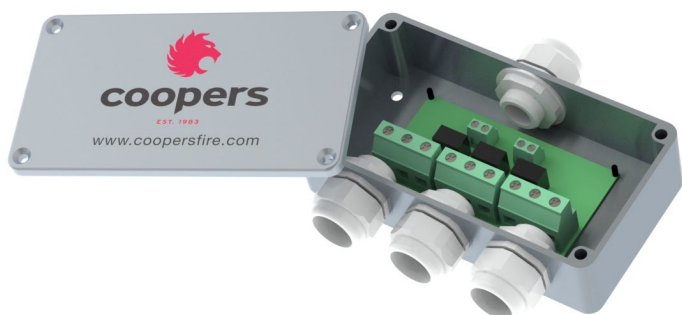
**Material**  
Die cast aluminium enclosure

**Operating Temperature**  
0 to +40°C (Internal Use)

**Dimensions**  
105mm(H) x 112mm(W) x 30mm(D)

**Weight**  
182g

**IP Rating**  
50



Coopers Fire Ltd  
Ignis House,  
Houghton Avenue,  
Waterlooville, Hampshire  
PO7 3DU.  
United Kingdom

Coopers Fire Ltd has a policy of continuous product improvement. As such we reserve the right to change design and specifications without prior notice.

**Phone:** +44 (0)2392 454 405  
**Email:** info@coopersfire.com  
**Web:** www.coopersfire.com

Please check our website for the latest information

© Coopers Fire Ltd. All content and products are copyright of Coopers Fire Ltd. Registered in England Number: 2010274. Multiple patents granted and pending.