

DATA SHEET OBSTRUCTION WARNING SYSTEM - VERTICAL (OWSV- 3.5)

PRODUCT CODE: 29190 (OWSV-3.5)
29191 (OWSV-3.5-BR)

VERSION: Issue B - May 2020



OBSTRUCTION WARNING SYSTEM – VERTICAL

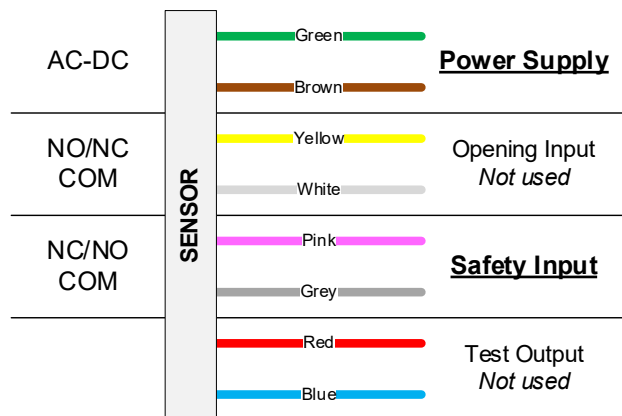
PRODUCT DESCRIPTION

The Obstruction Warning System – Vertical (OWSV-3.5) monitors the opening protected by the fire curtain to ensure it is kept clear from obstruction. If the detection zone is obstructed, a warning device will be activated after 5 minutes. The time period can be adjusted if required.

The OWSV-3.5 is compatible with both versions of Coopers Fire - Voice Warning Units (VWR and VWC). The Voice Warning unit will play the message “Warning, please remove obstruction” and the message will repeat until the obstruction has been removed.

NOTE: An audio / visual warning device MUST be used with any OWS to alert the occupants.

CONNECTION DETAILS

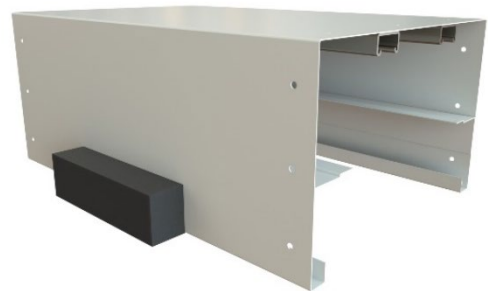


INSTALLATION OPTIONS

Face Fix

Parts required:

OSWV-3.5 (Sensor)
(Stock Code: 29190)



Ceiling Mount Fix

Parts required:

OWSV-3.5 (Sensor)
(Stock Code: 29190)

OWSV-3.5-BR (Bracket)
(Stock Code: 29191)



SPECIFICATION

Voltage Rating:

12 – 24Vac or 12 – 30Vdc

Current Consumption:

105mA

Current Contact Rating:

100mA @ 42Vac/dc

Colour:

Black

Dimensions:

209(w) x 58(h) x 47mm(d).

Installation Position:

Between 2m – 3.5m from FFL

IP Rating:

IP54

Operating Temperature:

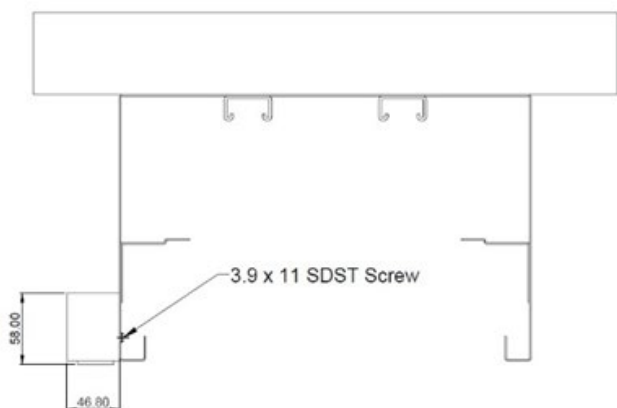
-25°C to +55°C

OBSTRUCTION WARNING SYSTEM – VERTICAL

INSTALLATION DETAILS

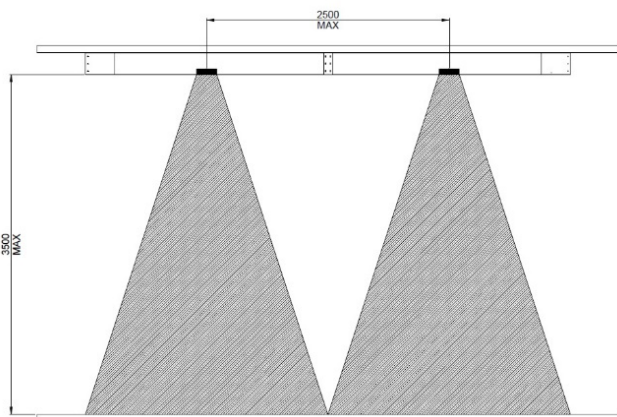
Face Fix

The OWSV-3.5 can be installed face fixed to the side of the FireMaster® Concertina™ head box using two 3.9 x 11 SDST screws as illustrated.



Installation Locations

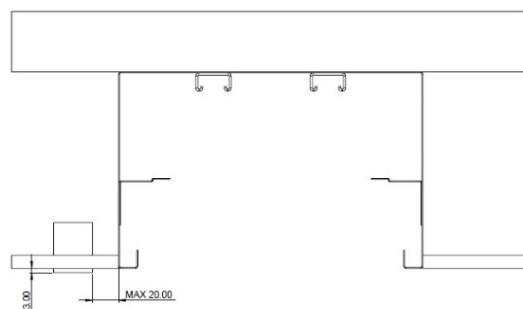
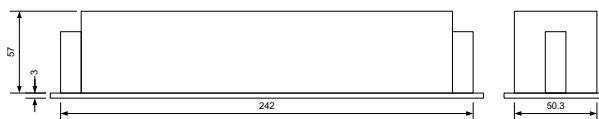
The OWSV-3.5 should be installed at a maximum pitch of 2500mm around the FireMaster® Concertina™ head box and not closer than 1250mm to any angled sections of head boxing.



Ceiling Mount Fix

The OWSV-3.5 can be installed flush with a false ceiling as illustrated. Clamps on the sides of the bracket will hold the sensor in position. This must be located a maximum of 20mm away from the head box.

A rectangular cut out of 244(w) x 53mm(d) will be needed in the ceiling for the bracket to be fitted.



Coopers Fire Ltd
Ignis House,
Houghton Avenue,
Waterlooville, Hampshire
PO7 3DU.
United Kingdom

Coopers Fire Ltd has a policy of continuous product improvement. As such we reserve the right to change design and specifications without prior notice.

Phone: +44 (0)2392 454 405
Email: info@coopersfire.com
Web: www.coopersfire.com

Please check our website for the latest information

© Coopers Fire Ltd. All content and products are copyright of Coopers Fire Ltd. Registered in England Number: 2010274. Multiple patents granted and pending.