

# COOPERS SMOKESTOP® DH60 CURTAIN STANDARD HEADBOX CONFIGURATION SECTIONS

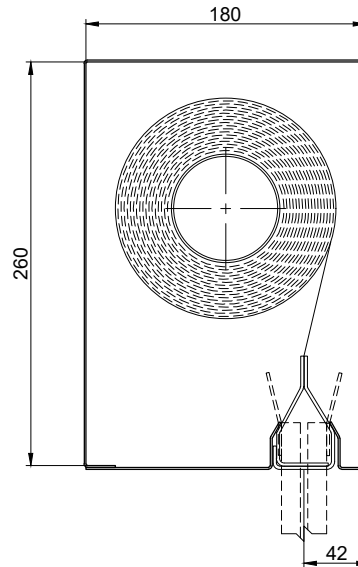
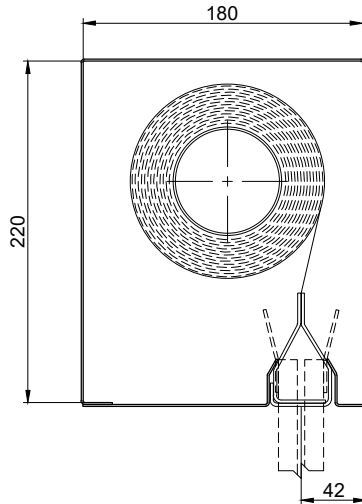
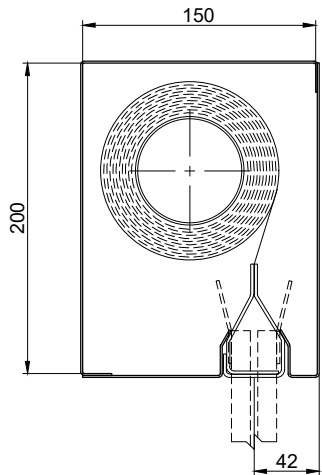
## SINGLE ROLLER UNITS

## MULTIPLE ROLLER UNITS

SS 15/20

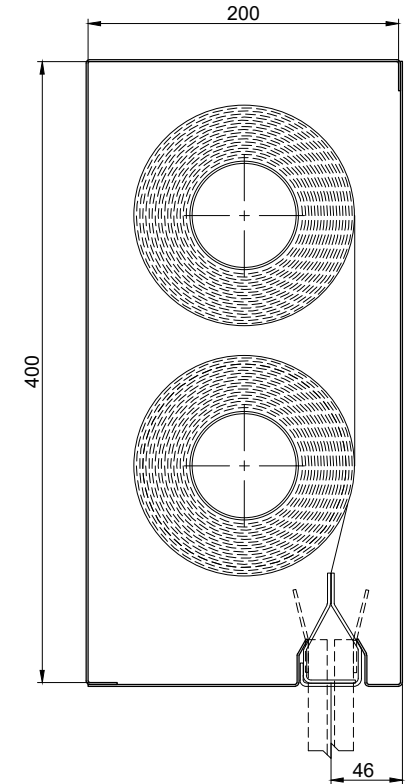
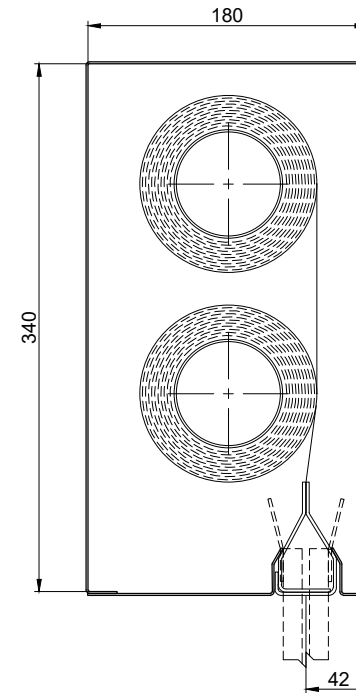
SS 18/22

SS 18/26



SS 18/34

SS 20/40



Product	Max Width	Max Drop	Fabric	Side Guide
D600A	5 metres	4.0 metres	EFP™ 2/A2	Yes
DH60	5 metres	4.0 metres	EFP™ 2/A2	Yes
DH60	5 metres	5.0 metres	EFP™ 2/A2	No

Product	Max Width	Max Drop	Fabric	Side Guide
D600A	5 metres	6.0 metres	EFP™ 2/A2	Yes
DH60	5 metres	6.0 metres	EFP™ 2/A2	Yes
DH60	5 metres	8.0 metres	EFP™ 2/A2	No

Product	Max Width	Max Drop	Fabric	Side Guide
D600A	5 metres	8.0 metres	EFP™ 2/A2	Yes
DH60	5 metres	8.0 metres	EFP™ 2/A2	Yes
DH60	5 metres	10.0 metres	EFP™ 2/A2	No

Product	Max Width	Max Drop	Fabric	Side Guide
D600A	Unlimited*	4.0 metres	EFP™ 2/A2	Yes
DH60	Unlimited*	4.0 metres	EFP™ 2/A2	Yes
DH60	Unlimited*	6.0 metres	EFP™ 2/A2	No

\*Unlimited Width with overlap join, Max width 5.0metres per roller

Product	Max Width	Max Drop	Fabric	Side Guide
D600A	Unlimited*	8.0 metres	EFP™ 2/A2	Yes
DH60	Unlimited*	8.0 metres	EFP™ 2/A2	Yes
DH60	Unlimited*	10.0 metres	EFP™ 2/A2	No

\*Unlimited Width with overlap join, Max width 5.0metres per roller



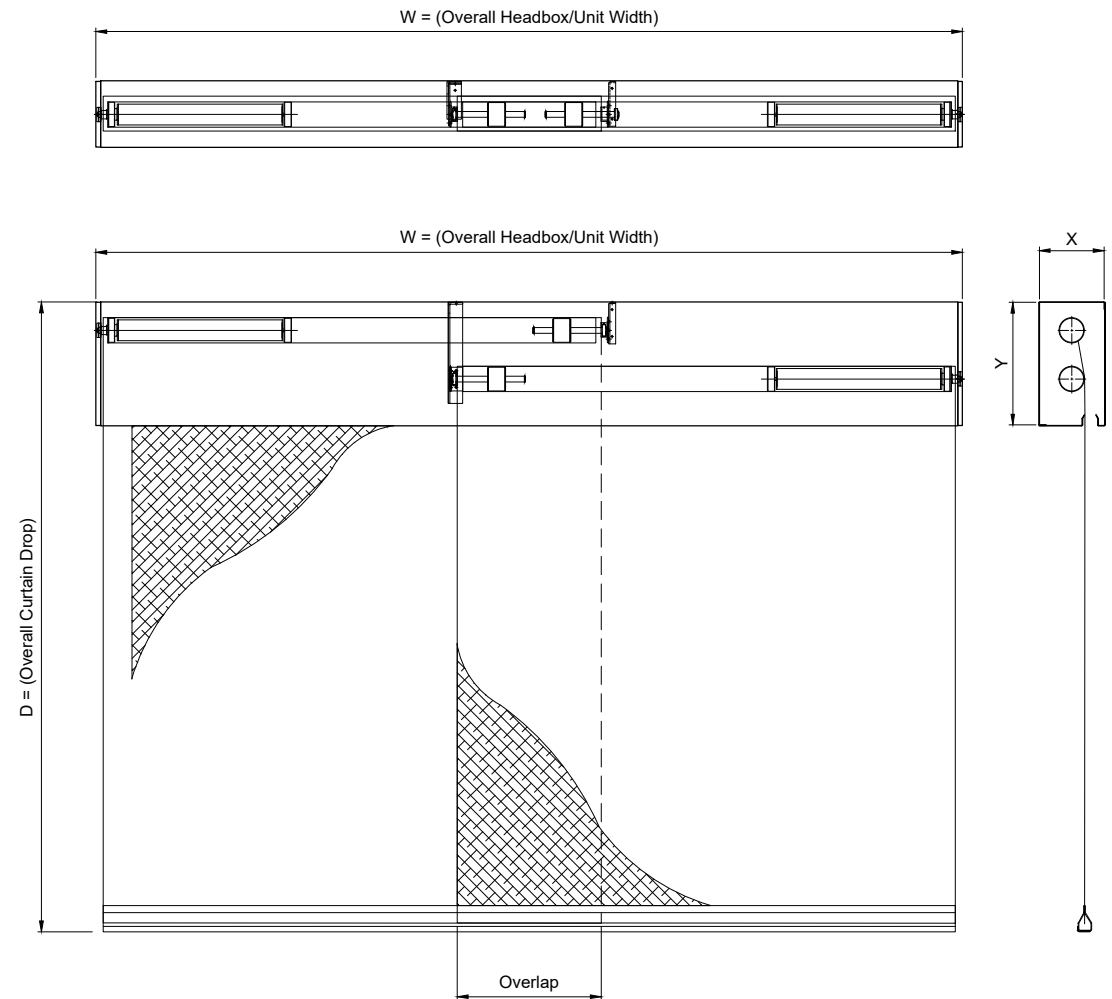
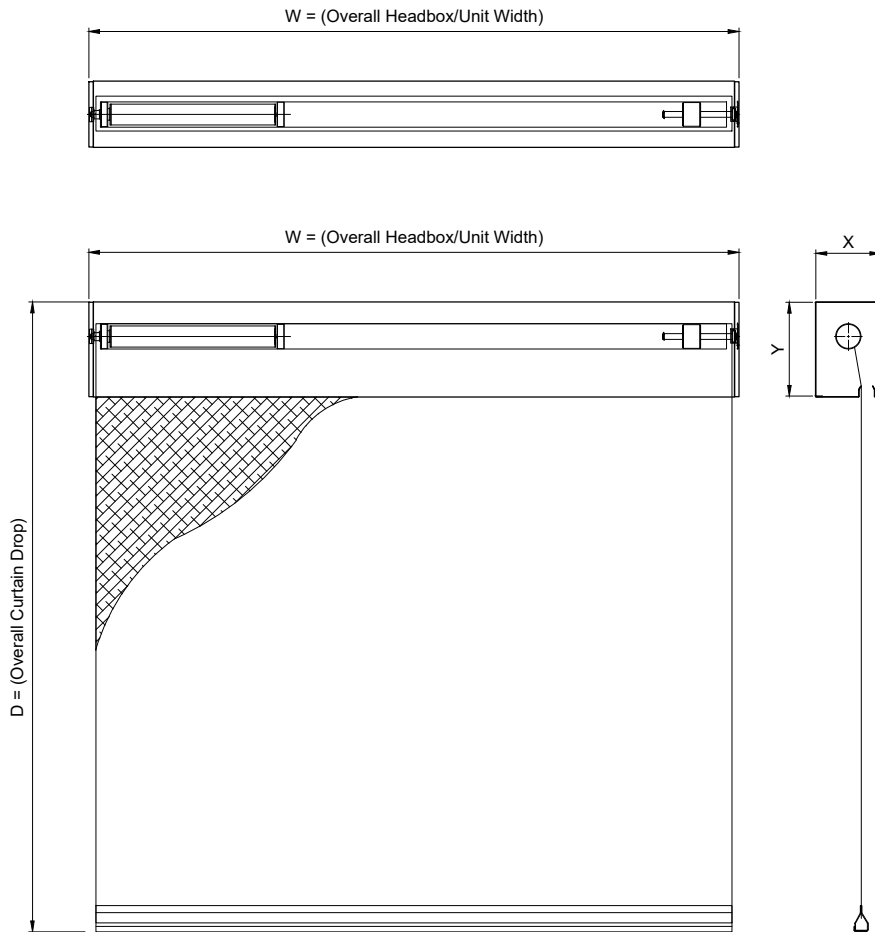
Ignis House, Houghton Avenue  
Waterlooville, Hampshire  
PO7 3DU, UK

Tel: +44 (0) 23 9245 4405  
Fax: +44 (0) 23 9249 2732

Email: info@coopersfire.com  
Web: www.coopersfire.com

DRAWN: ML	TITLE: Coopers SmokeStop® Smoke Curtain DH60 Headbox/Size Configuration
CHECKED: JR	© COOPERS FIRE LIMITED ALL RIGHTS RESERVED. THIS DESIGN MAY NOT BE REPRODUCED IN ANY MATERIAL FORM, INCLUDING ELECTRONICALLY WITHOUT THE WRITTEN PERMISSION OF THE COPYRIGHT NAMES
APPROVED: JR	DRG. No. 606/341/MK
	ISSUE: 2 DATE: 11.12.2020

NOTE: - Headbox size should allow additional 15mm for fixings bolt head  
SIZES OUTSIDE THESE STANDARDS - PLEASE CONTACT COOPERS



HEADBOX		OVERALL DIMENSION	
X (mm)	Y (mm)	W	D
150	200	< 5m	< 5m
180	220	< 5m	< 8m
180	260	< 5m	< 10m

HEADBOX		OVERALL DIMENSION	
X (mm)	Y (mm)	W	D
180	340	Unlimited*	< 6m
200	400	Unlimited*	< 10m



Ignis House, Houghton Avenue  
Waterlooville, Hampshire  
PO7 3DU, UK

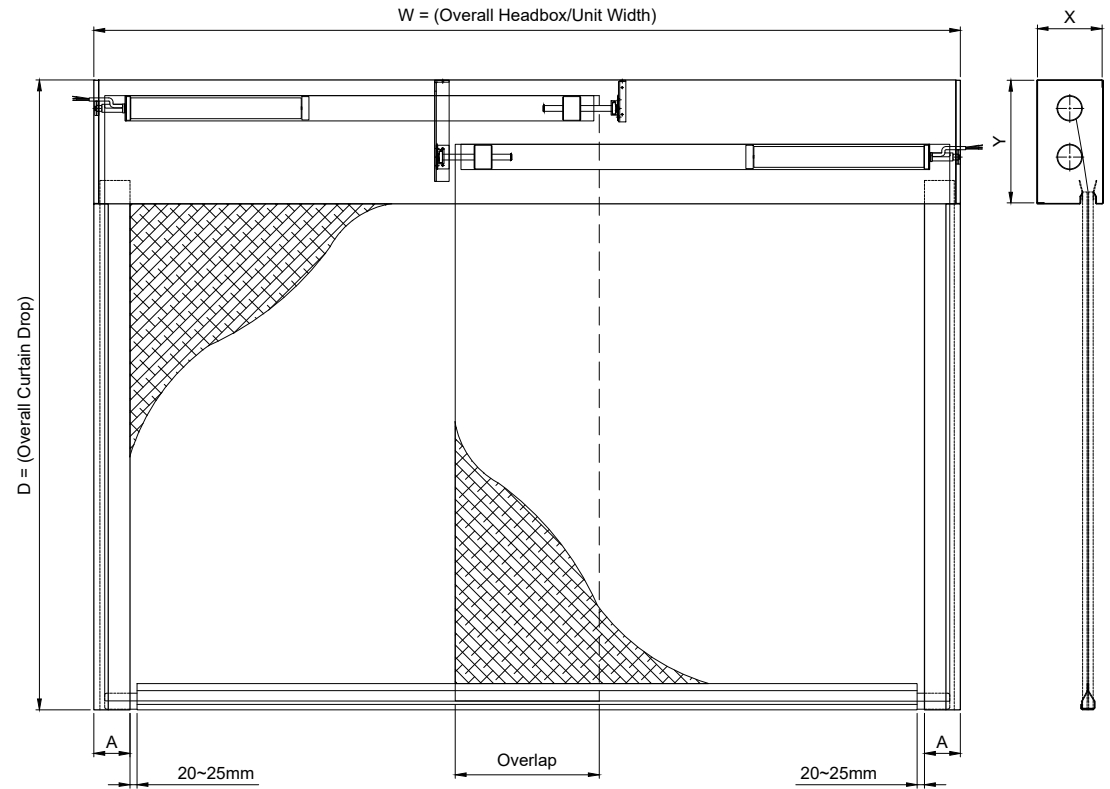
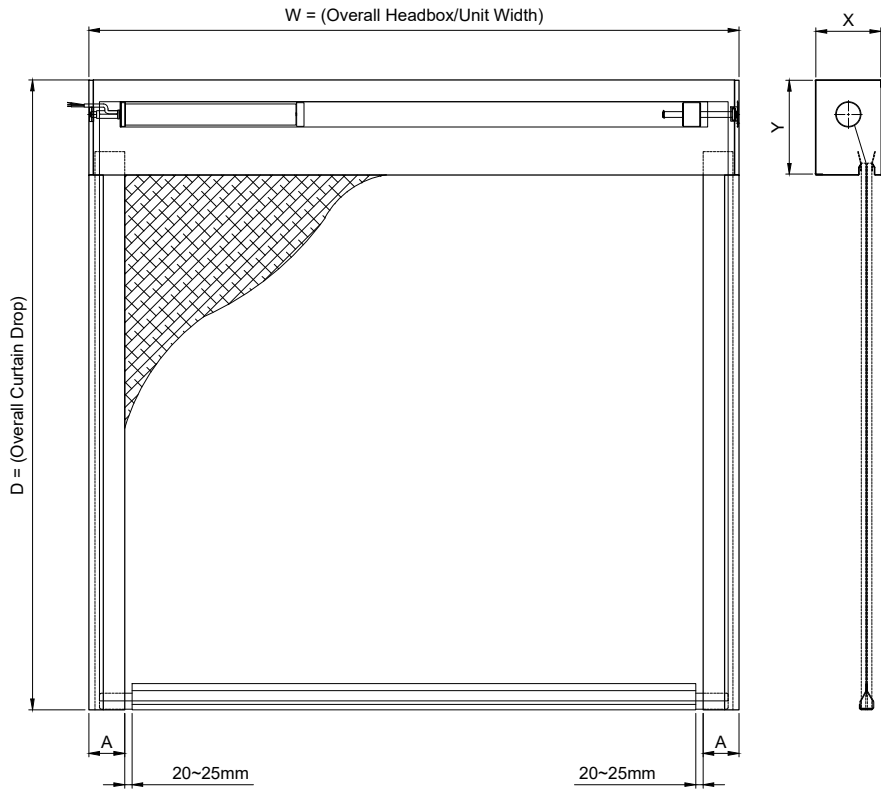
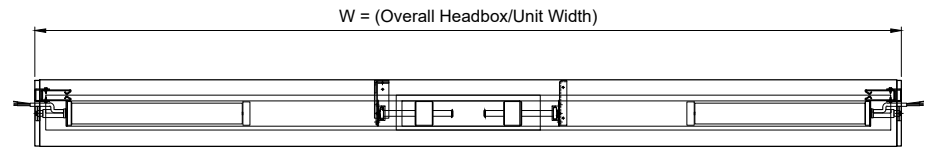
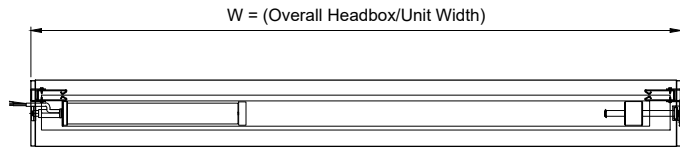
Tel: +44 (0) 23 9245 4405  
Fax: +44 (0) 23 9249 2732

Email: info@coopersfire.com  
Web: www.coopersfire.com

DRAWN:	ML	TITLE:	Coopers SmokeStop® DH60 Matrix of Sizes (EFP™ 2/A2) without Side Guides
CHECKED:	JR	© COOPERS FIRE LIMITED ALL RIGHTS RESERVED. THIS DESIGN MAY NOT BE REPRODUCED IN ANY MATERIAL FORM, INCLUDING ELECTRONICALLY WITHOUT THE WRITTEN PERMISSION OF THE COPYRIGHT NAMES	ALL DIMENSION IN MILLIMETERS UNLESS OTHERWISE STATED
APPROVED:	JR	DRG. No.	606/343/MK
		ISSUE:	2
		DATE:	11.12.2020

NOTE: -

\* Unlimited width with overlap joint, maximum 5m per roller  
For D600A without Side Guides, please refer to Coopers SmokeStop Standard Smoke Curtain Configuration  
SIZES OUTSIDE THESE STANDARDS - PLEASE CONTACT COOPERS



HEADBOX		OVERALL DIMENSION		
X (mm)	Y (mm)	W	D	A (mm)
150	200	< 5m	< 4m	90 - 100
180	220	< 5m	< 6m	90 - 100
180	260	< 5m	< 8m	123 - 133

HEADBOX		OVERALL DIMENSION		
X (mm)	Y (mm)	W	D	A (mm)
180	340	Unlimited*	< 4m	90 - 100
200	400	Unlimited*	< 8m	123 - 133



Ignis House, Houghton Avenue  
Waterlooville, Hampshire  
PO7 3DU, UK

Tel: +44 (0) 23 9245 4405  
Fax: +44 (0) 23 9249 2732

Email: info@coopersfire.com  
Web: www.coopersfire.com

DRAWN: ML	TITLE: Coopers SmokeStop® DH60 Matrix of Sizes (EFP™ 2/A2) with Side Guides	
CHECKED: JR	© COOPERS FIRE LIMITED ALL RIGHTS RESERVED. THIS DESIGN MAY NOT BE REPRODUCED IN ANY MATERIAL FORM, INCLUDING ELECTRONICALLY WITHOUT THE WRITTEN PERMISSION OF THE COPYRIGHT NAMES	ALL DIMENSION IN MILLIMETERS UNLESS OTHERWISE STATED
APPROVED: JR	DRG. No. 606/342/MK	ISSUE: 2 DATE: 11.12.2020

NOTE: -

\* Unlimited width with overlap joint, maximum 5m per roller  
SIZES OUTSIDE THESE STANDARDS - PLEASE CONTACT COOPERS