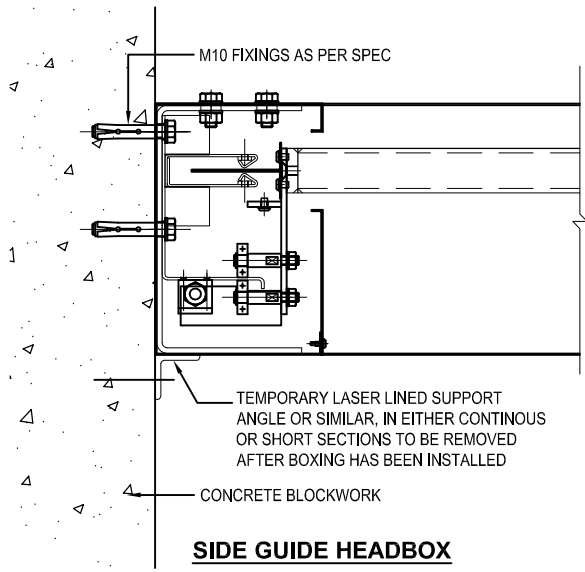
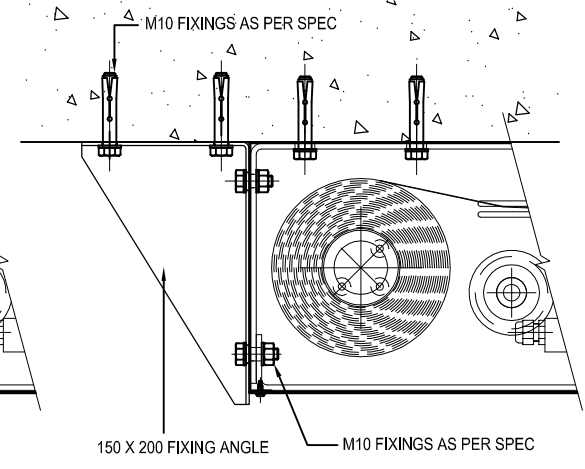
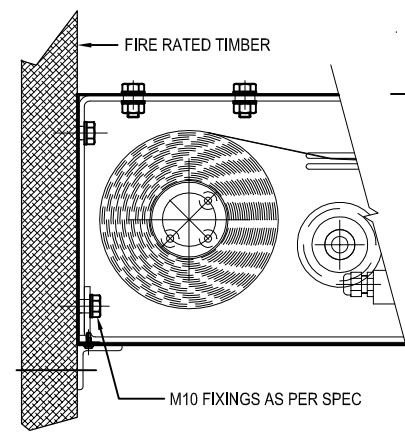
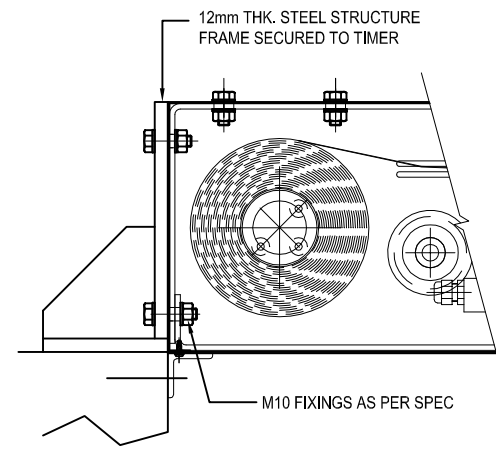
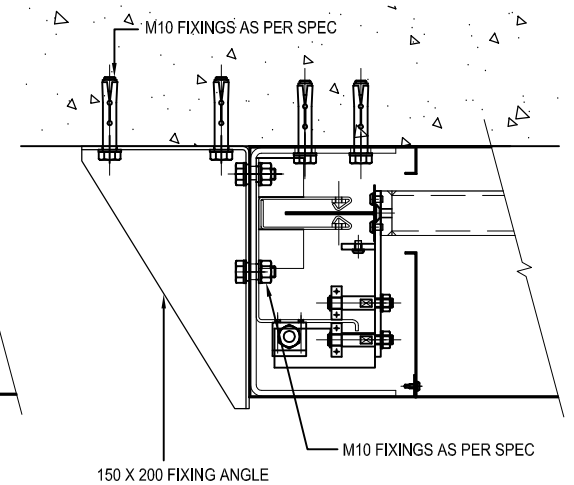
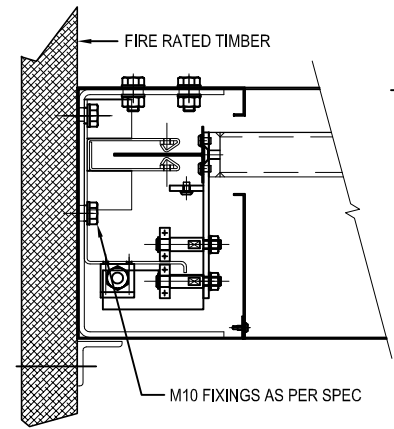
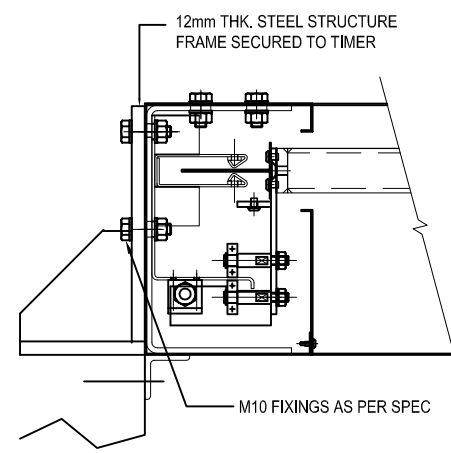


**ROLLER CURTAIN HEADBOX**



**SIDE GUIDE HEADBOX**



**ENSURE THE CORRECT TYPE OF MOUNTING BOLTS ARE USED TO SUIT THE TYPE OF BLOCKWORK OR FRAMEWORK**



Edward House, Penner Road,  
Havant, Hampshire, PO9 1QZ, UK  
Tel: +44 (0) 23 9245 4405  
Fax: +44 (0) 23 9249 2732  
Email: info@coopersfire.com  
Web: www.coopersfire.com

DRAWN:	ML	TITLE:	FIREMASTER® DUPLEX™ HORIZONTAL FIRE CURTAIN INSTALLATION GUIDE
CHECKED:	JR	© 1997 A COOPER GROUP LIMITED. ALL RIGHTS RESERVED. THIS DESIGN MAY NOT BE REPRODUCED IN ANY MATERIAL FORM, INCLUDING ELECTRONICALLY WITHOUT THE WRITTEN PERMISSION OF THE COPYRIGHT NAMES.	ALL DIMENSION IN MILLIMETERS UNLESS OTHERWISE STATED
APPROVED:	JR	DRG. No.	DHRZ/STD/33
		ISSUE:	F
		DATE:	24.02.2014