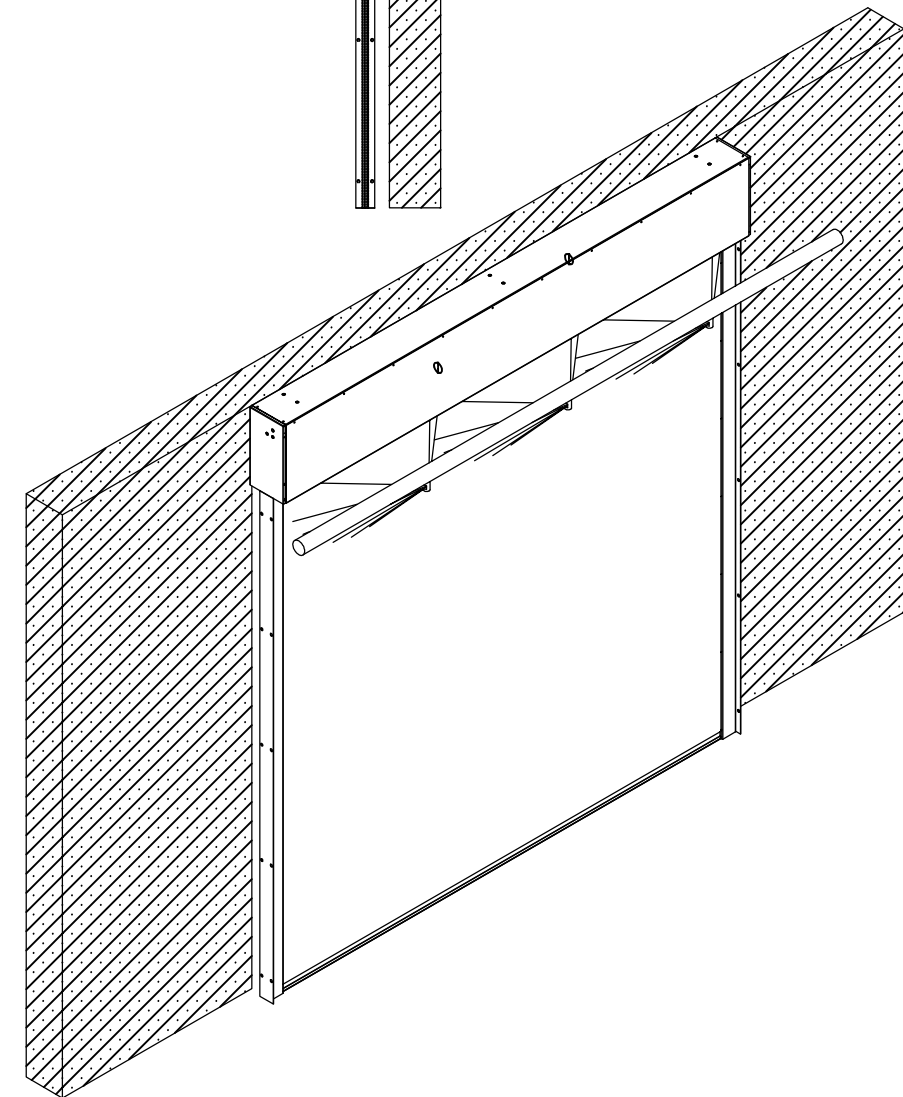
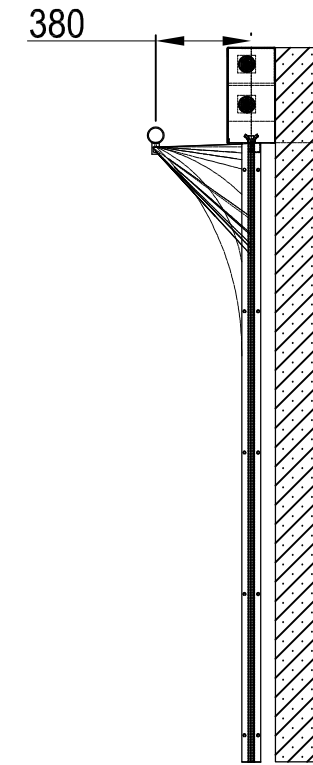
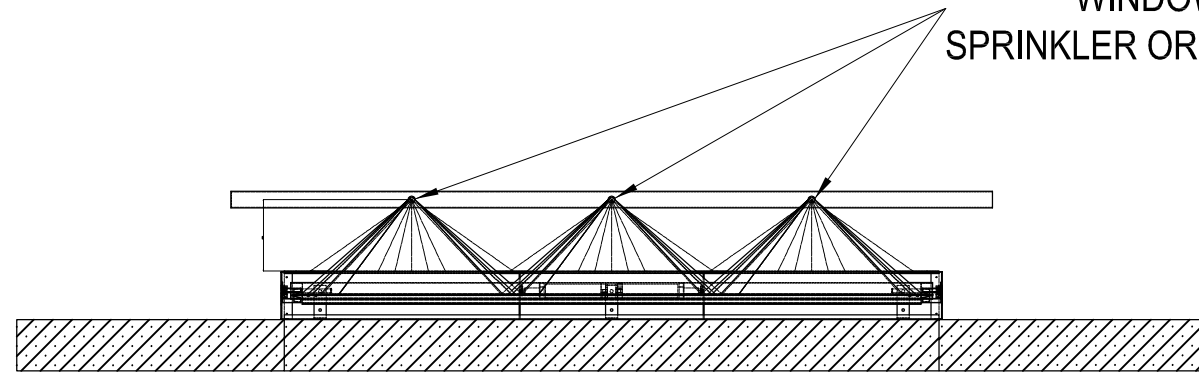


VIKING C-1 (01324B VK794)
WINDOW
SPRINKLER OR SIMILAR



Edward House, Penner Road,
Havant, Hampshire, PO9 1QZ, UK

Tel: +44 (0) 23 9245 4405
Fax: +44 (0) 23 9249 2732

Email: info@coopersfire.com
Web: www.coopersfire.com

DRAWN:	JR	TITLE:	FIREMASTER® SUPERPLUS FIRE CURTAIN SPRINKLER DETAILS
CHECKED:	JR	© 1997 A COOPER GROUP LIMITED ALL RIGHTS RESERVED. THIS DESIGN MAY NOT BE REPRODUCED IN ANY MATERIAL FORM, INCLUDING ELECTRONICALLY WITHOUT THE WRITTEN PERMISSION OF THE COPYRIGHT NAMES	ALL DIMENSION IN MILLIMETERS UNLESS OTHERWISE STATED
APPROVED:	JR	DRG. No.	606/315//MK
		ISSUE:	2
		DATE:	28.07.2017

NOTE: - SIZES OUTSIDE THESE STANDARDS - PLEASE CONTACT COOPERS
FOR HEADBOXES SIZES PLEASE REFER TO DRAWING 606/252/MK

INSTALLATION DETAILS OF SPRINKLER SYSTEM - FLOW RATE: 17 l/min/m²