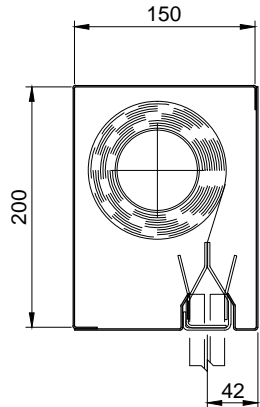
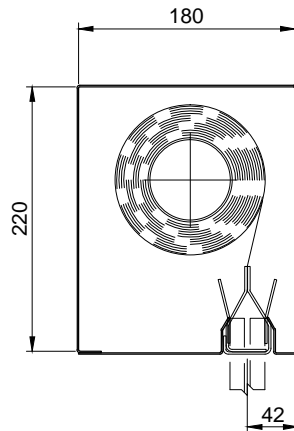


FIREMASTER® PLUS² FIRE CURTAIN HEADBOX SECTIONS

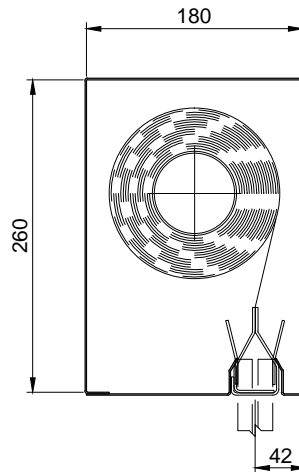
FMP 15/20



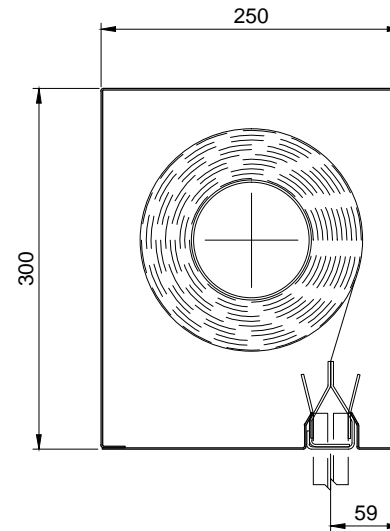
FMP 18/22



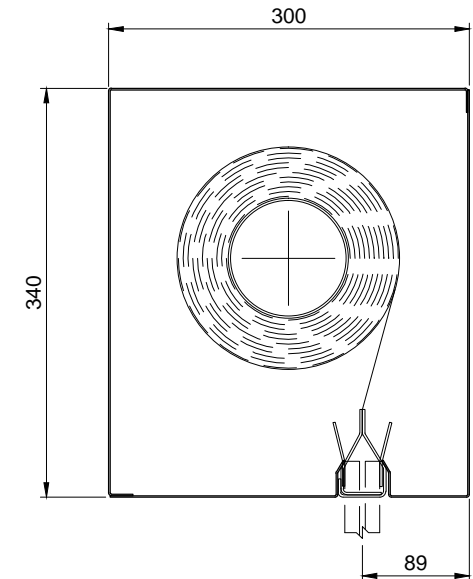
FMP 18/26



FMP 25/30



FMP 30/34



Product	Max Width	Max Drop	Seam	Fabric
FMP	3 metres	3.0 metres	Horizontal	EFP™ 2/1000/DGI

NOTE: - Headbox size should allow additional min. 15mm for fixings bolt head

Product	Max Width	Max Drop	Seam	Fabric
FMP	3 metres	3.0 metres	Vertical	EFP™ 2/1000/DGI

NOTE: - Headbox size should allow additional min. 20mm for fixings bolt head

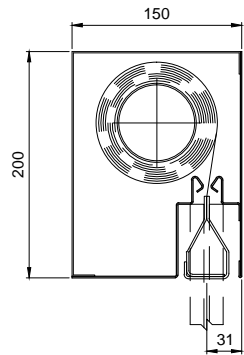


Edward House, Penner Road,
Havant, Hampshire, PO9 1QZ, UK
Tel: +44 (0)2392 454 405
Email: info@coopersfire.com
Web: www.coopersfire.com

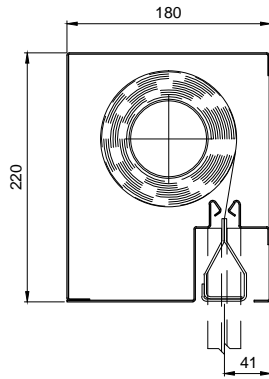
DRAWN: ML	TITLE: FireMaster® Plus ² Fire Curtain Headbox/Curtain Size Configuration (Jumbo Bar)	
CHECKED: JR	© 1997-2018 COOPERS FIRE LIMITED ALL RIGHTS RESERVED. THIS DESIGN MAY NOT BE REPRODUCED IN ANY MATERIAL FORM, INCLUDING ELECTRONICALLY WITHOUT THE WRITTEN PERMISSION OF THE COPYRIGHT NAMES	ALL DIMENSIONS IN MILLIMETRES UNLESS OTHERWISE STATED
APPROVED: JR	DRG. No. 607/035/MK	ISSUE: 1 DATE: 22.06.2018

FIREMASTER®/FIREMASTER® PLUS² FIRE CURTAIN WITH SMOKE SEAL HEADBOX CONFIGURATION SECTIONS

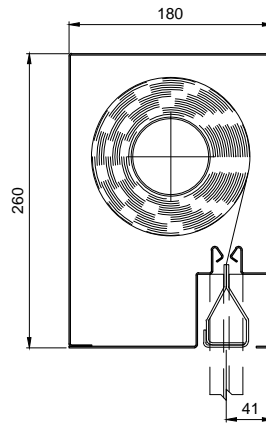
FM 15/20/SS
FMP 15/20/SS



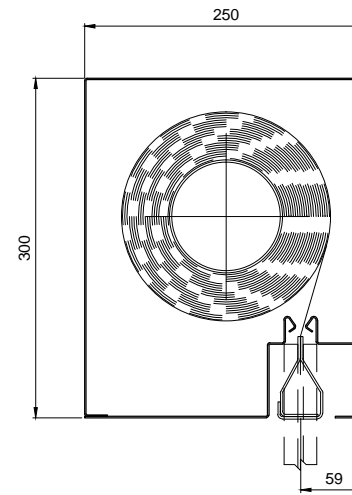
FM 18/22/SS
FMP 18/22/SS



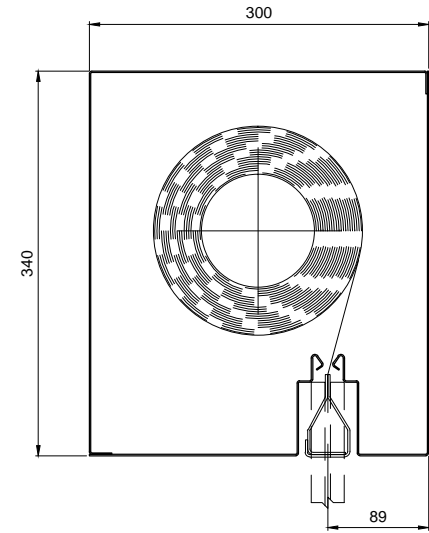
FM 18/26/SS
FMP 18/26/SS



FM 25/30/SS
FMP 25/30/SS



FMP 30/34/SS



Product	Max Width	Max Drop	Fabric
FM	3 metres	3.0 metres	EFP™ A1
FMP	3 metres	2.5 metres	EFP™ 2/1000/DGI

Product	Max Width	Max Drop	Fabric
FM	3 metres	3.0 metres	EFP™ A1
FMP	3 metres	3.0 metres	EFP™ 2/1000/DGI

Product	Max Width	Max Drop	Fabric
FM	3 metres	3.0 metres	EFP™ A1
FMP	3 metres	3.0 metres	EFP™ 2/1000/DGI

Product	Max Width	Max Drop	Fabric
FM	3 metres	3.0 metres	EFP™ A1
FMP	3 metres	3.0 metres	EFP™ 2/1000/DGI

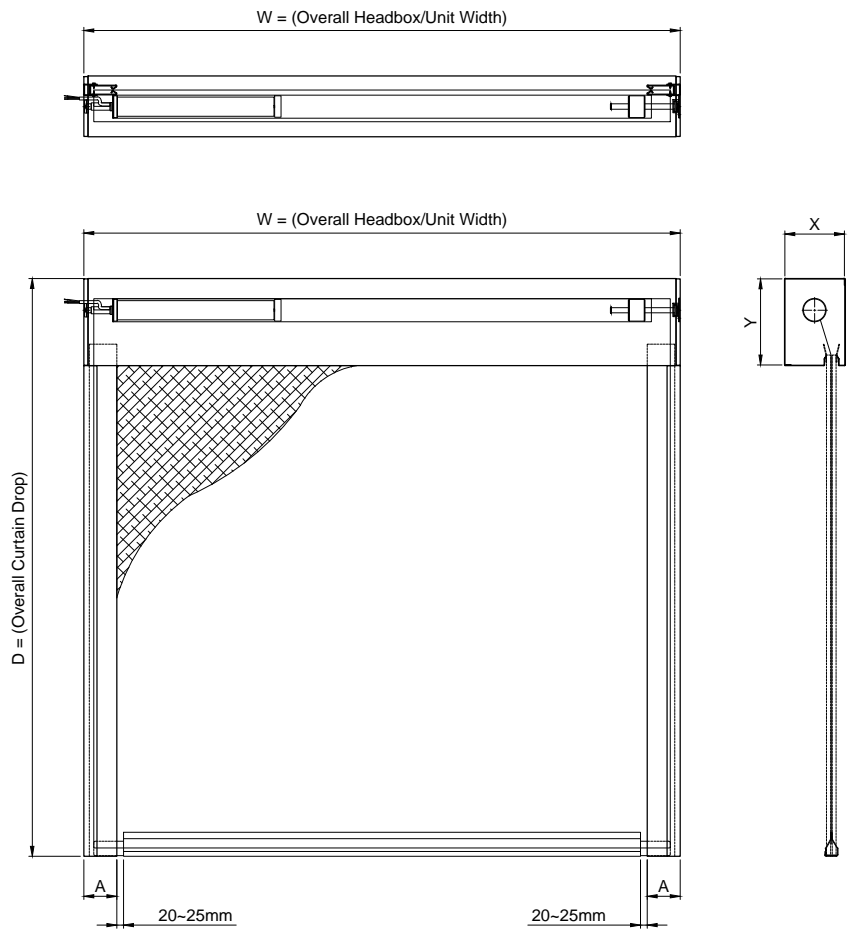
Product	Max Width	Max Drop	Fabric
FM	n/a	n/a	EFP™ A1
FMP	3 metres	3.0 metres	EFP™ 2/1000/DGI



Edward House, Penner Road,
Havant, Hampshire, PO9 1QZ, UK
Tel: +44 (0)2392 454 405
Email: info@coopersfire.com
Web: www.coopersfire.com

DRAWN: ML	TITLE: FireMaster®/FireMaster Plus ² with Smoke Seal Headbox and Curtain Size Matrix (Jumbo Bbar)	
CHECKED: JR	© 1997-2018 COOPERS FIRE LIMITED. ALL RIGHTS RESERVED. THIS DESIGN MAY NOT BE REPRODUCED IN ANY MATERIAL FORM, INCLUDING ELECTRONICALLY, WITHOUT THE WRITTEN PERMISSION OF THE COPYRIGHT NAMES.	ALL DIMENSIONS IN MILLIMETRES UNLESS OTHERWISE STATED
APPROVED: JR	DRG. No. 600/119/MK	ISSUE: 1 DATE: 04.07.2018

* SIZES GREATER THAN STATED PLEASE CONTACT COOPERS



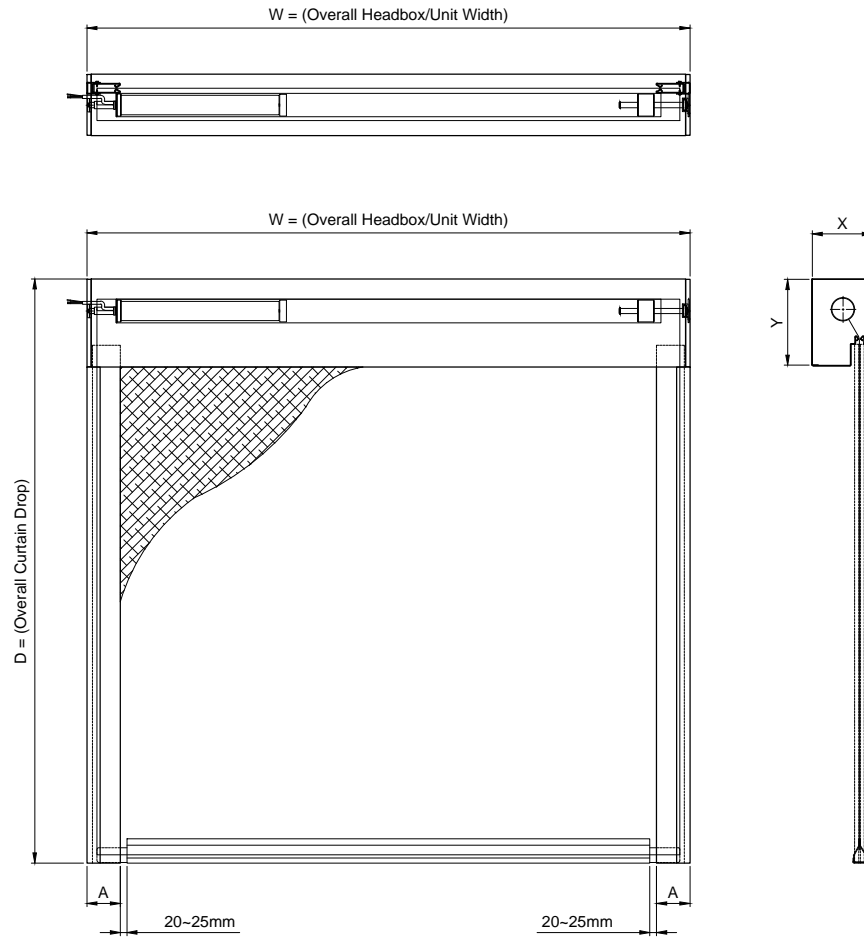
HEADBOX		OVERALL DIMENSION		
X (mm)	Y (mm)	W	D	A (mm)
150	200	< =3m	< =2.5m	90 - 100
180	220	< =3m	< =3.0m	90 - 100
180	260	< =3m	< =3.0m	90 - 100
250	300	< =3m	< =3.0m	90 - 100
300	340	< =3m	< =3.0m	90 - 100



Edward House, Penner Road,
Havant, Hampshire, PO9 1QZ, UK
Tel: +44 (0)2392 454 405
Email: info@coopersfire.com
Web: www.coopersfire.com

DRAWN: ML	TITLE: FireMaster® Plus² Fire Curtain Matrix of Sizes - Jumbo (EFP™ 2/1000/DGI)	
CHECKED: JR	© 1997-2018 COOPERS FIRE LIMITED ALL RIGHTS RESERVED. THIS DESIGN MAY NOT BE REPRODUCED IN ANY MATERIAL FORM, INCLUDING ELECTRONICALLY WITHOUT THE WRITTEN PERMISSION OF THE COPYRIGHT NAMES	ALL DIMENSIONS IN MILLIMETRES UNLESS OTHERWISE STATED
APPROVED: JR	DRG. No. 607/038/MK	ISSUE: 1 DATE: 11.05.2018

NOTE: - Headbox size should allow additional min. 15mm for fixings bolt head
Sizes outside these standards - please contact Coopers



HEADBOX		OVERALL DIMENSION		
X (mm)	Y (mm)	W	D	A (mm)
150	200	< 3m	< 3m	90 - 100
180	220	< 3m	< 3m	90 - 100
180	260	< 3m	< 3m	90 - 100
250	300	< 3m	< 3m	90 - 100



Edward House, Penner Road,
Havant, Hampshire, PO9 1QZ, UK
Tel: +44 (0)2392 454 405
Email: info@coopersfire.com
Web: www.coopersfire.com

DRAWN: ML	TITLE: FireMaster® with Smoke Seal Matrix of Sizes (EFP™ A1) - Jumbo	
CHECKED: JR	© 1997-2018 COOPERS FIRE LIMITED ALL RIGHTS RESERVED. THIS DESIGN MAY NOT BE REPRODUCED IN ANY MATERIAL FORM, INCLUDING ELECTRONICALLY WITHOUT THE WRITTEN PERMISSION OF THE COPYRIGHT NAMES	ALL DIMENSIONS IN MILLIMETRES UNLESS OTHERWISE STATED
APPROVED: JR	DRG. No. 606/334/MK	ISSUE: 1 DATE: 04.07.2018

NOTE: -
SIZES OUTSIDE THESE STANDARDS - PLEASE CONTACT COOPERS