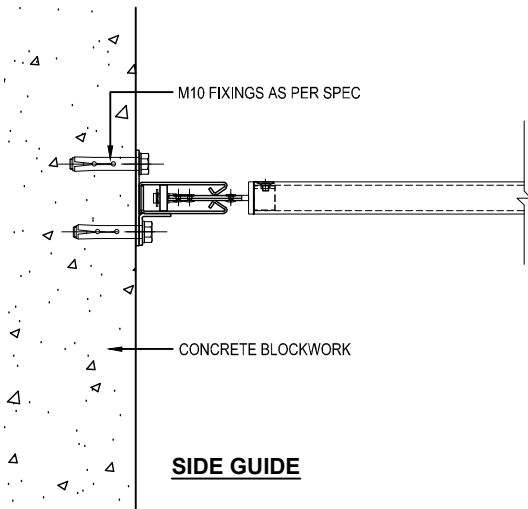
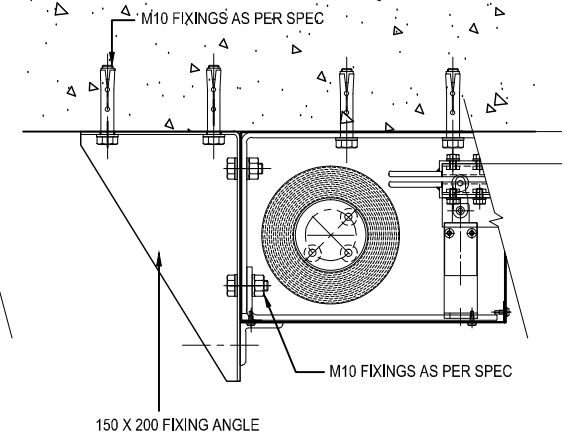
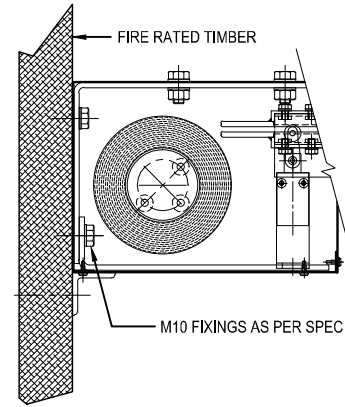
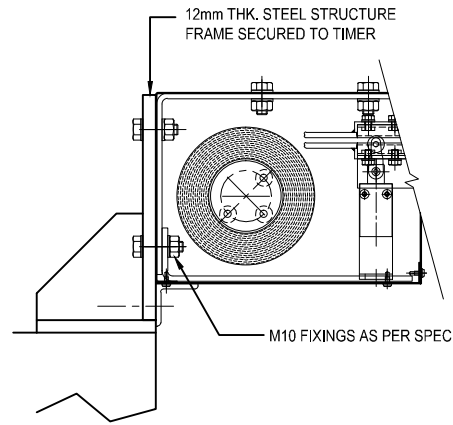
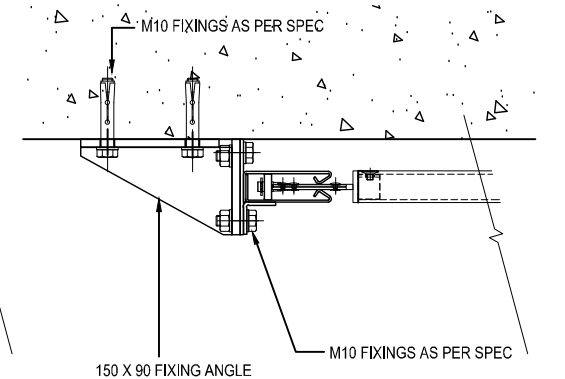
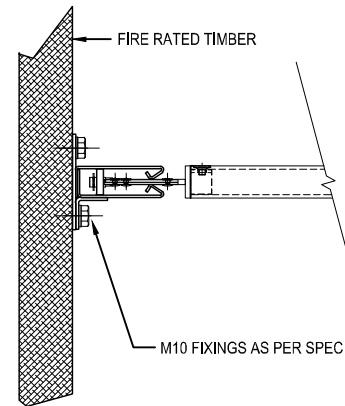
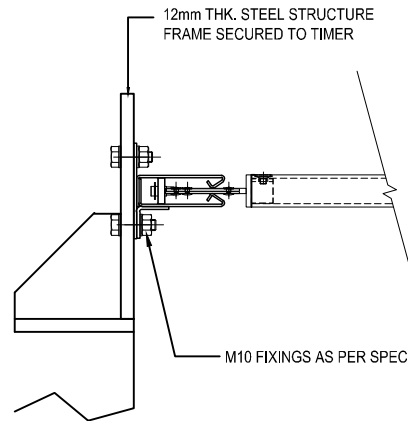


ROLLER CURTAIN/PULLEY HEADBOX



SIDE GUIDE



Edward House, Penner Road,
Havant, Hampshire, PO9 1QZ, UK
Tel: +44 (0) 23 9245 4405
Fax: +44 (0) 23 9249 2732
Email: info@coopersfire.com
Web: www.coopersfire.com

DRAWN:	ML	TITLE:	FIREMASTER® MINI SIMPLEX™ HORIZONTAL FIRE CURTAIN INSTALLATION GUIDE
CHECKED:	JR	© 1997 A COOPER GROUP LIMITED ALL RIGHTS RESERVED. THIS DESIGN MAY NOT BE REPRODUCED IN ANY MATERIAL FORM, INCLUDING ELECTRONICALLY, WITHOUT THE WRITTEN PERMISSION OF THE COPYRIGHT NAMES.	ALL DIMENSION IN MILLIMETERS UNLESS OTHERWISE STATED
APPROVED:	JR	DRG. No.	HRZ/MIN/33
		ISSUE:	B
		DATE:	26.01.2016

ENSURE THE CORRECT TYPE OF MOUNTING BOLTS ARE USED TO SUIT THE TYPE OF BLOCKWORK OR FRAMEWORK