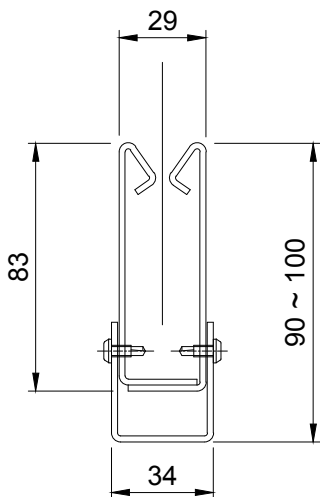
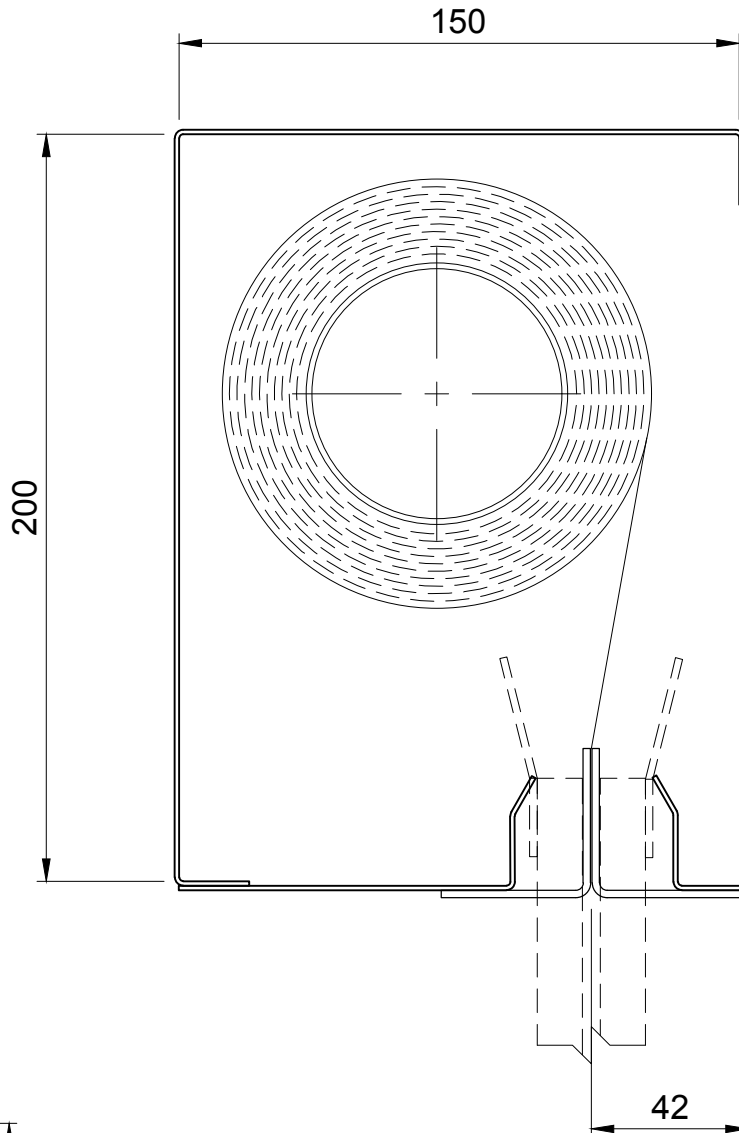


# FM 15/20



**Side Guide**

NOTE: - Headbox size should allow additional 20mm for fixings bolt head

Product	Max Width	Max Drop	Fabric
FM	2.6 metres	2.9 metres	EFP™ A0



Edward House, Penner Road,  
Havant, Hampshire, PO9 1QZ, UK

Tel: +44 (0)2392 454 405

Email: [info@coopersfire.com](mailto:info@coopersfire.com)  
Web: [www.coopersfire.com](http://www.coopersfire.com)

DRAWN:

ML

CHECKED:

JR

APPROVED:

JR

TITLE:

**FireMaster® Marine Fire Curtain  
150 x 200 Headbox Details - TBar**

© 1997-2018 COOPERS FIRE LIMITED  
ALL RIGHTS RESERVED. THIS DESIGN MAY NOT BE  
REPRODUCED IN ANY MATERIAL FORM, INCLUDING  
ELECTRONICALLY WITHOUT THE WRITTEN PERMISSION  
OF THE COPYRIGHT NAMES

ALL DIMENSIONS IN MILLIMETRES  
UNLESS OTHERWISE STATED

DRG. No.

**606/344/MK**

ISSUE:

**1**

DATE:

**20.08.2018**