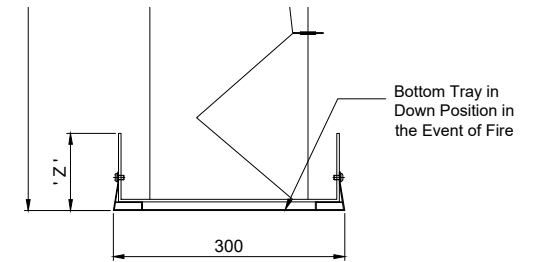
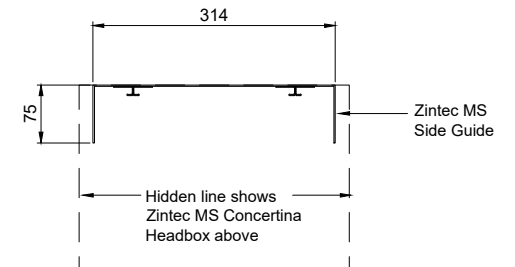


HEADBOX DETAIL



BOTTOM TRAY DETAIL SECTION A



SIDE GUIDE DETAIL

NOTE: -

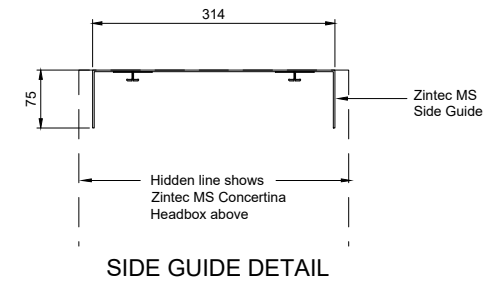
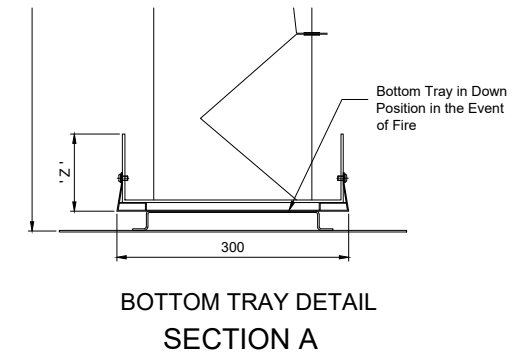
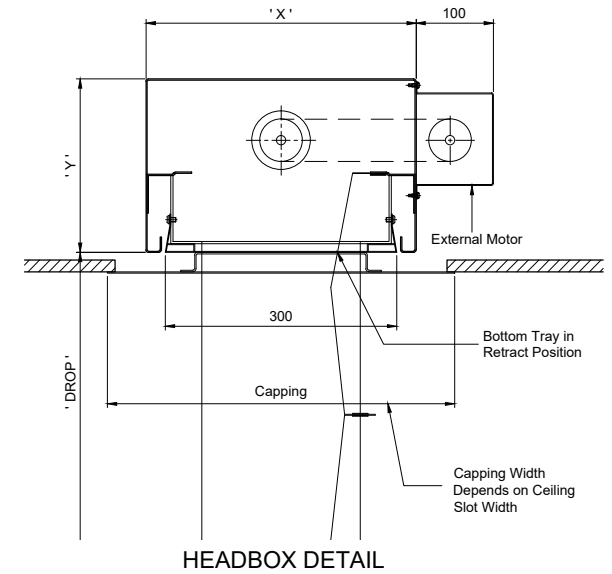
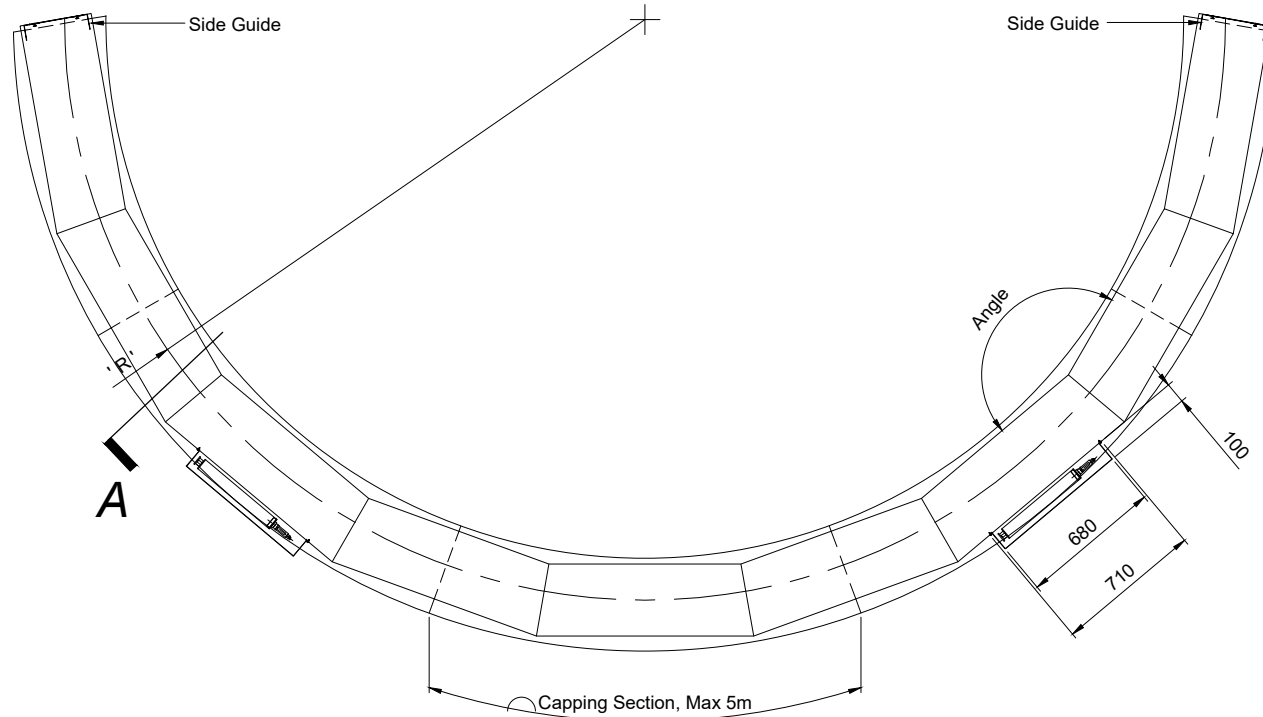
1. Number of motor(s) and location depends on curtain overall dimension
2. Number of sides depends on radius and ceiling slot width



Edward House, Penner Road,
Havant, Hampshire, PO9 1QZ, UK
Tel: +44 (0)2392 454 405
Email: info@coopersfire.com
Web: www.coopersfire.com


| | | | | | |
|-----------|----|-------------------------------------------------------------------------------------------------------------------------------------------------------------------------------------------------------|----------------------------------------------------------|--------|------------|
| DRAWN: | ML | TITLE: | FireMaster® Concertina™ - Open Typical Arrangement | | |
| CHECKED: | JR | © 1997-2018 COOPERS FIRE LIMITED ALL RIGHTS RESERVED. THIS DESIGN MAY NOT BE REPRODUCED IN ANY MATERIAL FORM, INCLUDING ELECTRONICALLY WITHOUT THE WRITTEN PERMISSION OF THE COPYRIGHT NAMES | ALL DIMENSIONS IN MILLIMETRES UNLESS OTHERWISE STATED | | |
| APPROVED: | JR | DRG. No. | 604/004/MK | ISSUE: | 1 |
| | | | | DATE: | 22.06.2018 |

| HEADBOX | | Z (mm) | CURTAIN DIMENSION | | |
|---------|--------|--------|-------------------|------|------------|
| X (mm) | Y (mm) | | RADIUS | DROP | ANGLE |
| 350 | 225 | 100 | Unlimited | < 4m | 45° - 180° |
| 350 | 300 | 175 | Unlimited | < 8m | 45° - 180° |

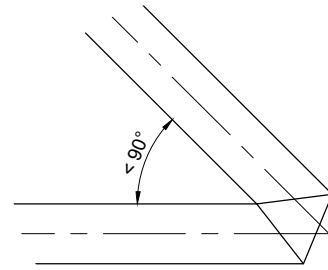


NOTE: -

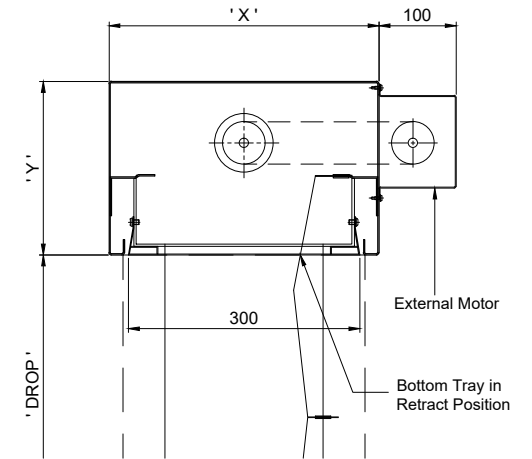
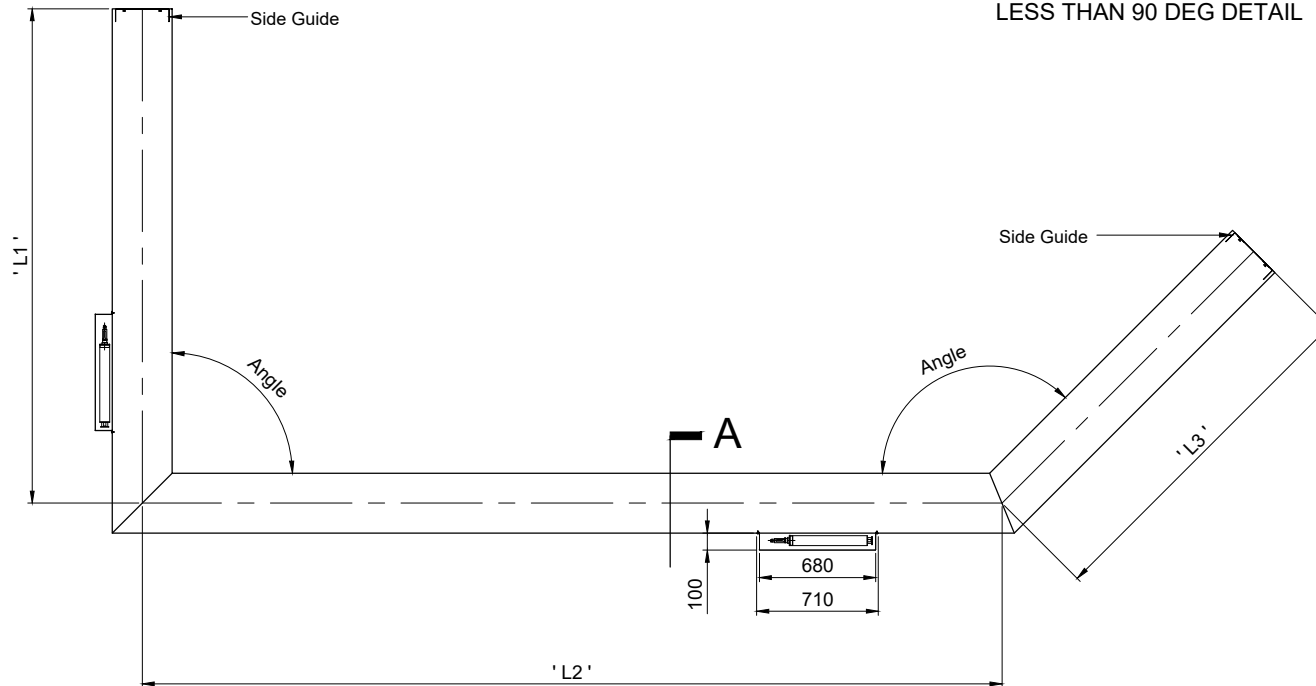
1. Number of motor(s) and location depends on curtain overall dimension and the weight of capping
2. Number of sides depends on radius and ceiling slot width
3. Capping width depends on ceiling slot width
4. If capping is required, it is supplied in pre-curved sections and each section is butted up to the next
5. Headbox size should allow additional 15mm for fixings bolt head

| | | | |
|----------------------------------------------------------------------------------------------------------------------------------------------------------------------------------------------------------------------------------------------------|----------|-------------------------------------------------------------------------------------------------------------------------------------------------------------------------------------------------------|----------------------------------------------------------|
|  <p>Edward House, Penner Road, Havant, Hampshire, PO9 1QZ, UK Tel: +44 (0)2392 454 405 Email: info@coopersfire.com Web: www.coopersfire.com</p> | DRAWN: | TITLE: | |
| | ML | FireMaster® Concertina™ - Open Typical Arrangement - Capping Proposal | |
| | CHECKED: | © 1997-2018 COOPERS FIRE LIMITED ALL RIGHTS RESERVED. THIS DESIGN MAY NOT BE REPRODUCED IN ANY MATERIAL FORM, INCLUDING ELECTRONICALLY WITHOUT THE WRITTEN PERMISSION OF THE COPYRIGHT NAMES | ALL DIMENSIONS IN MILLIMETRES UNLESS OTHERWISE STATED |
| | JR | DRG. No. | ISSUE: |
| | JR | 604/029/MK | 1 |
| | | | DATE: 22.06.2018 |

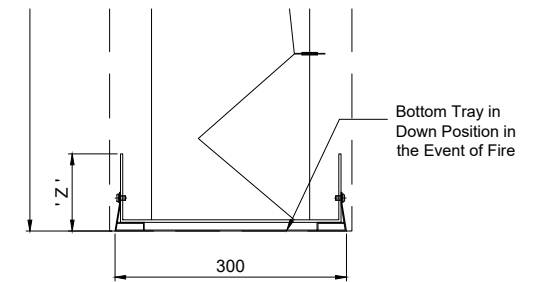
| HEADBOX SIZE | | Z (mm) | CURTAIN DIMENSION | | |
|--------------|--------|--------|-------------------|------|------------|
| X (mm) | Y (mm) | | RADIUS | DROP | ANGLE |
| 350 | 225 | 100 | Unlimited | < 4m | 45° - 180° |
| 350 | 300 | 175 | Unlimited | < 8m | 45° - 180° |



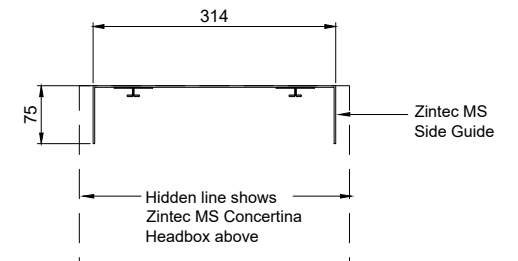
LESS THAN 90 DEG DETAIL



HEADBOX DETAIL



BOTTOM TRAY DETAIL SECTION A



SIDE GUIDE DETAIL

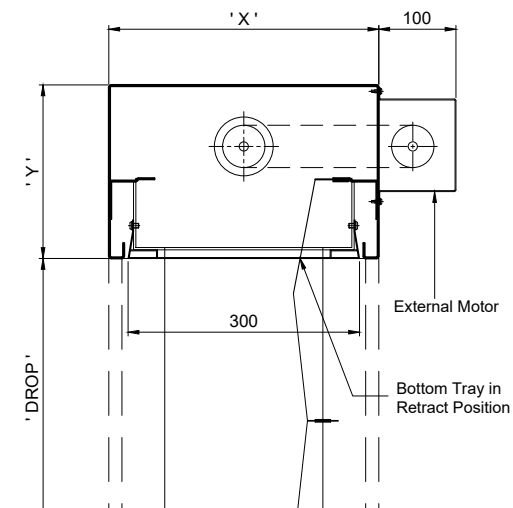
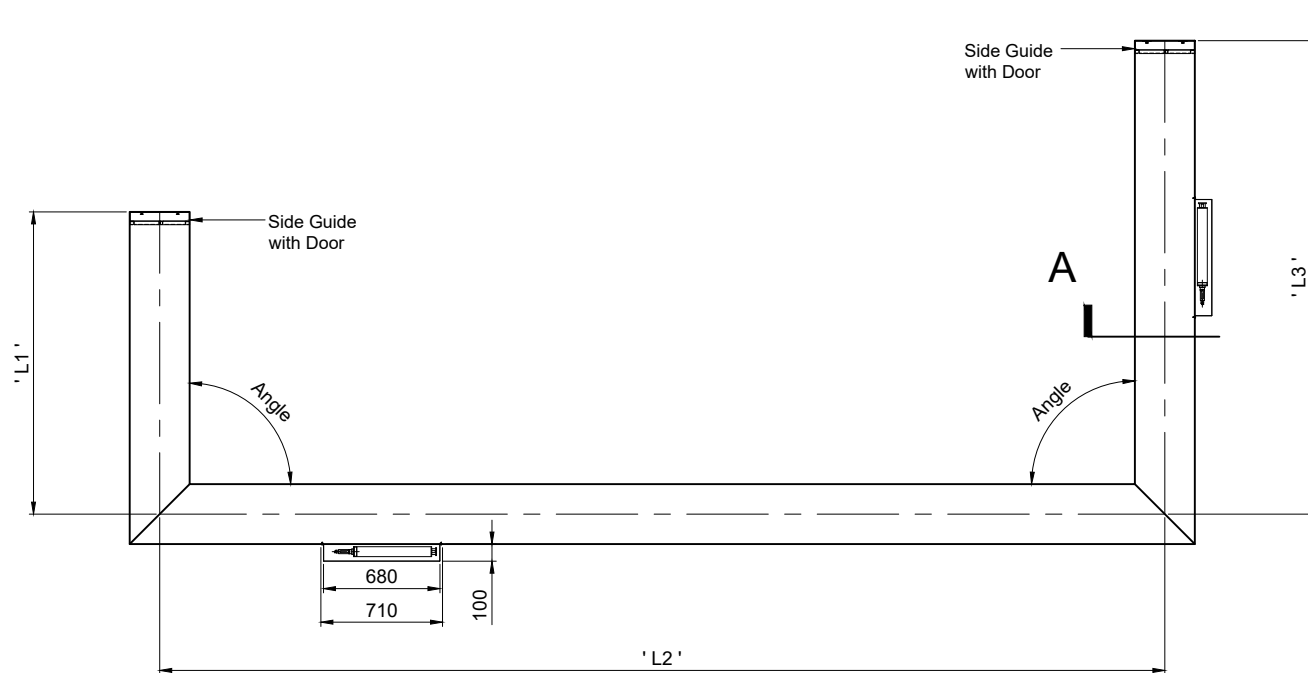
NOTE: - Number of motor(s) and location depends on curtain overall dimension



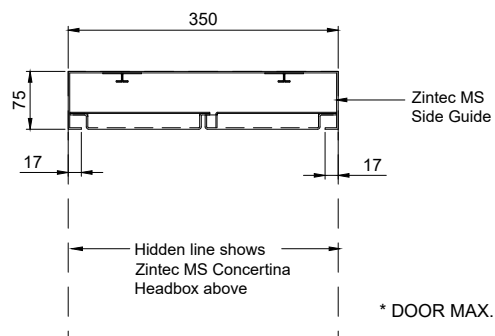
Edward House, Penner Road,
Havant, Hampshire, PO9 1QZ, UK
Tel: +44 (0)2392 454 405
Email: info@coopersfire.com
Web: www.coopersfire.com

| | | | |
|-----------|----|-------------------------------------------------------------------------------------------------------------------------------------------------------------------------------------------------------|----------------------------------------------------------|
| DRAWN: | ML | TITLE: FireMaster® Concertina™ - Open Typical Arrangement | |
| CHECKED: | JR | © 1997-2018 COOPERS FIRE LIMITED ALL RIGHTS RESERVED. THIS DESIGN MAY NOT BE REPRODUCED IN ANY MATERIAL FORM, INCLUDING ELECTRONICALLY WITHOUT THE WRITTEN PERMISSION OF THE COPYRIGHT NAMES | ALL DIMENSIONS IN MILLIMETRES UNLESS OTHERWISE STATED |
| APPROVED: | JR | DRG. No. 604/031/MK | ISSUE: 1 DATE: 22.06.2018 |

| HEADBOX | | Z (mm) | CURTAIN DIMENSION | | |
|---------|--------|--------|-------------------|------|------------|
| X (mm) | Y (mm) | | L - WIDTH | DROP | ANGLE |
| 350 | 225 | 100 | Unlimited | < 4m | 45° - 180° |
| 350 | 300 | 175 | Unlimited | < 8m | 45° - 180° |

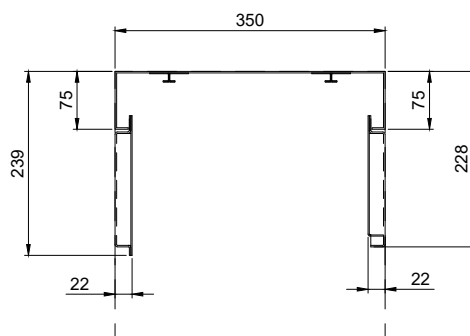


HEADBOX DETAIL

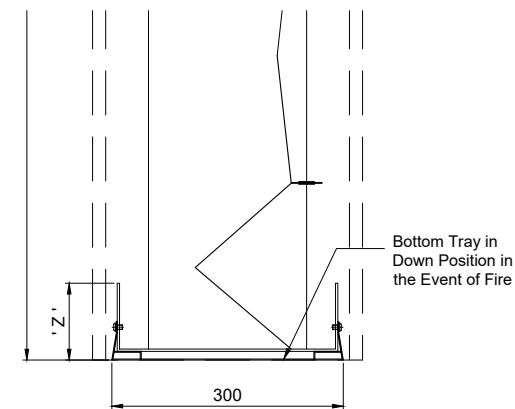


DOOR CLOSED

* DOOR MAX. HEIGHT = 3M



DOOR OPENED



BOTTOM TRAY DETAIL SECTION A

NOTE: - Number of motor(s) and location depends on curtain overall dimension
 - Headbox size should allow additional 15mm for fixings bolt head



Edward House, Penner Road,
 Havant, Hampshire, PO9 1QZ, UK
 Tel: +44 (0)2392 454 405
 Email: info@coopersfire.com
 Web: www.coopersfire.com

| | | | | | |
|-----------|----|-------------------------------------------------------------------------------------------------------------------------------------------------------------------------------------------------|-----------------------------------------------------------------------|--------|------------|
| DRAWN: | ML | TITLE: | Open FireMaster® Concertina™ with Side Guide Door Typical Arrangement | | |
| CHECKED: | JR | © 1997-2018 COOPERS FIRE LIMITED ALL RIGHTS RESERVED. THIS DESIGN MAY NOT BE REPRODUCED IN ANY MATERIAL FORM, INCLUDING ELECTRONICALLY WITHOUT THE WRITTEN PERMISSION OF THE COPYRIGHT NAMES | ALL DIMENSIONS IN MILLIMETRES UNLESS OTHERWISE STATED | | |
| APPROVED: | JR | DRG. No. | 604/020/MK | ISSUE: | 1 |
| | | | | DATE: | 22.06.2018 |

| HEADBOX SIZE | | Z (mm) | CURTAIN DIMENSION | | |
|--------------|--------|--------|-------------------|------|------------|
| X (mm) | Y (mm) | | L - WIDTH | DROP | ANGLE |
| 350 | 225 | 100 | Unlimited | < 3m | 45° - 180° |