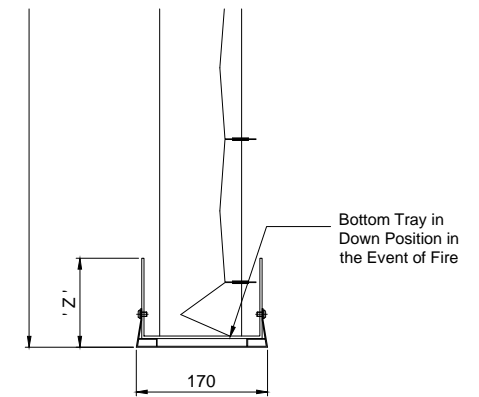



HEADBOX DETAIL

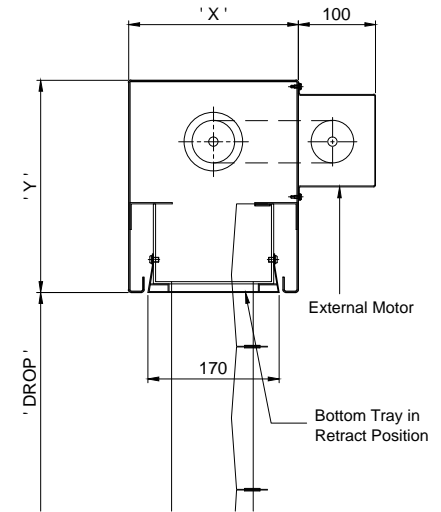
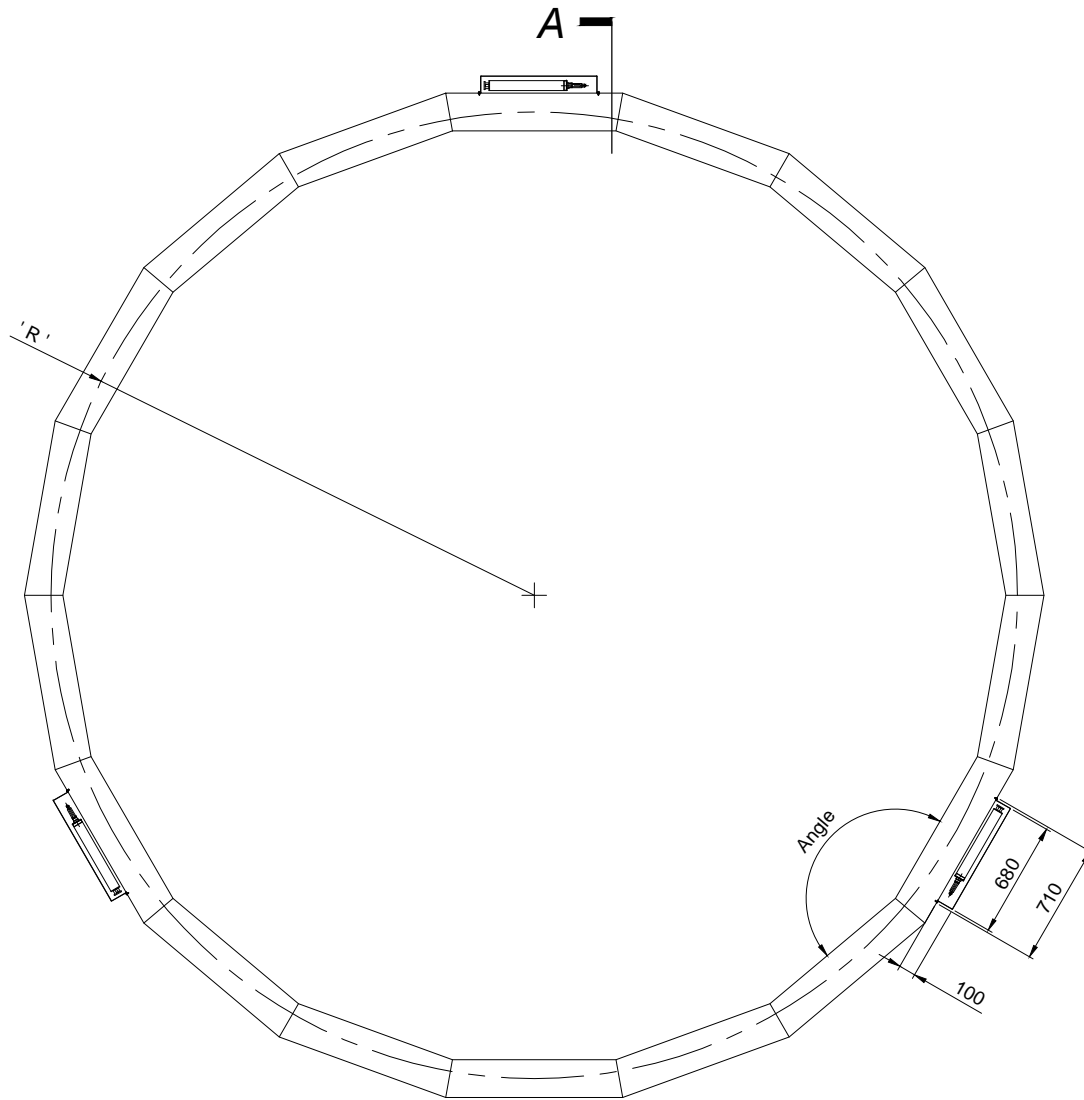


BOTTOM TRAY DETAIL SECTION A

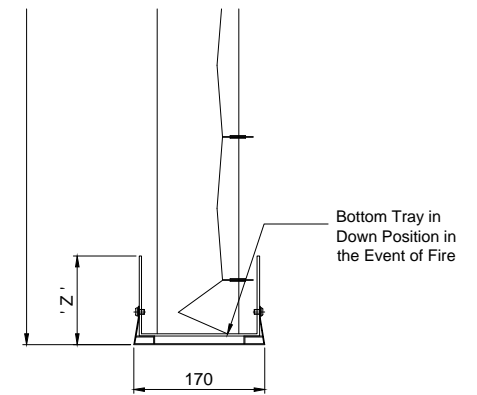
NOTE: - Number of motor(s) and location depends on curtain overall dimension  
 - Headbox size should allow additional 15mm for fixings bolt head

 <p>Edward House, Penner Road, Havant, Hampshire, PO9 1QZ, UK Tel: +44 (0)2392 454 405 Email: info@coopersfire.com Web: www.coopersfire.com</p>	DRAWN:	TITLE:	
	ML	FireMaster® Concertina™ - Closed Typical Arrangement - Compact Box	
	CHECKED:	<small>© 1997-2018 COOPERS FIRE LIMITED          ALL RIGHTS RESERVED. THIS DESIGN MAY NOT BE REPRODUCED          IN ANY MATERIAL FORM, INCLUDING ELECTRONICALLY WITHOUT          THE WRITTEN PERMISSION OF THE COPYRIGHT NAMES</small>	ALL DIMENSIONS IN MILLIMETRES UNLESS OTHERWISE STATED
	JR	APPROVED:	DRG. No.
	JR	604/007/MK	

HEADBOX SIZE		Z (mm)	CURTAIN DIMENSION		
X (mm)	Y (mm)		L - WIDTH	DROP	ANGLE
220	275	115	Unlimited	< 3m	45° - 180°
220	340	180	Unlimited	< 5m	45° - 180°



HEADBOX DETAIL



BOTTOM TRAY DETAIL

SECTION A

NOTE: -

1. Number of motor(s) and location depends on curtain overall dimension
2. Minimum 5 sides required
3. Number of sides depends on radius and ceiling slot width
4. Headbox size should allow additional 15mm for fixings bolt head



Edward House, Penner Road,  
Havant, Hampshire, PO9 1QZ, UK  
Tel: +44 (0)2392 454 405  
Email: info@coopersfire.com  
Web: www.coopersfire.com

DRAWN:	ML	TITLE:	FireMaster® Concertina™ - Closed Typical Arrangement - Compact Box	
CHECKED:	JR	© 1997-2018 COOPERS FIRE LIMITED ALL RIGHTS RESERVED. THIS DESIGN MAY NOT BE REPRODUCED IN ANY MATERIAL FORM, INCLUDING ELECTRONICALLY WITHOUT THE WRITTEN PERMISSION OF THE COPYRIGHT NAMES	ALL DIMENSIONS IN MILLIMETRES UNLESS OTHERWISE STATED	
APPROVED:	JR	DRG. No.	604/021/MK	ISSUE: 1 DATE: 22.06.2018

HEADBOX SIZE		Z (mm)	CURTAIN DIMENSION		
X (mm)	Y (mm)		RADIUS	DROP	NO OF ANGLE
220	275	115	Unlimited	< 3m	Min. 5
220	340	180	Unlimited	< 5m	Min. 5