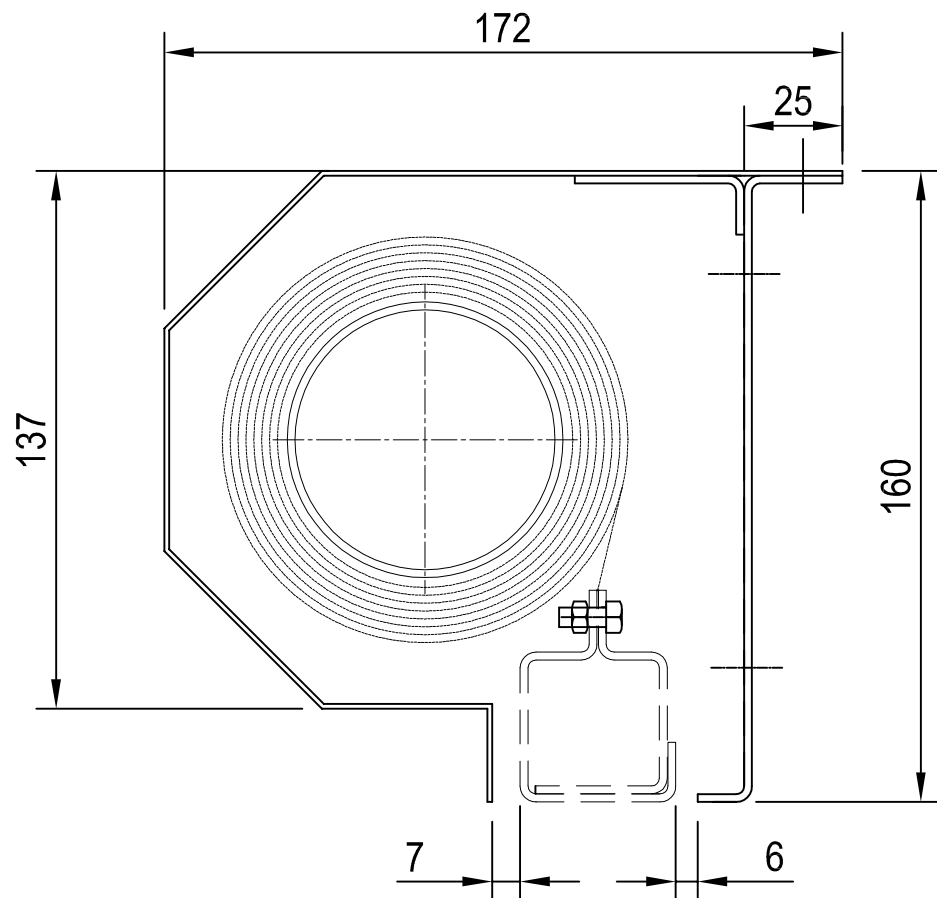
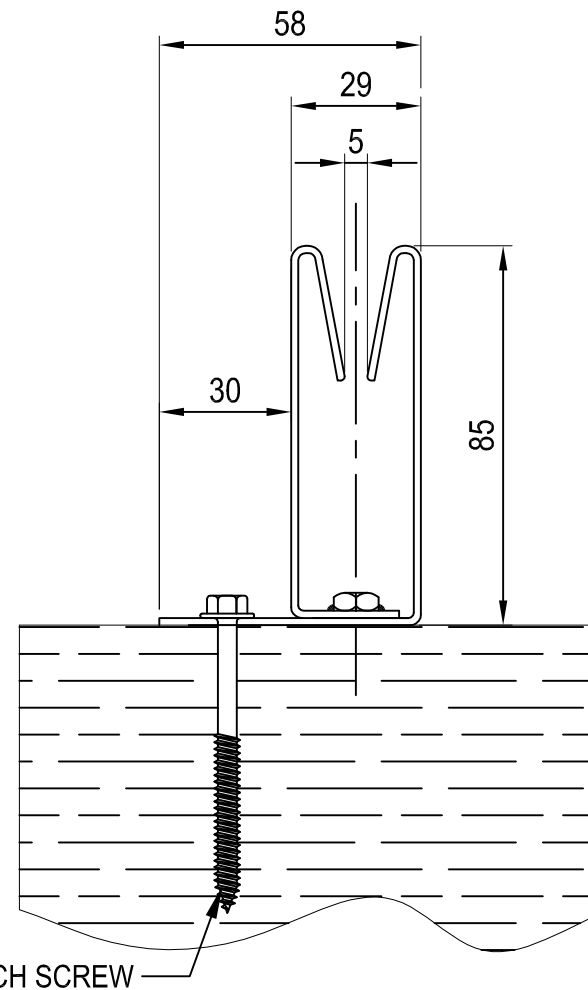


HEADBOX DETAILS



END PLATE REMOVED FOR CLARITY

SIDE GUIDE DETAILS



M6 x 70 COACH SCREW

Coopers
Fire & Smoke

Tel: +44 (0) 23 9245 4405
Fax: +44 (0) 23 9249 2732

Edward House, Penner Road,
Havant, Hants. PO9 1QZ, UK
E-mail: info@coopers-uk.com
Web Site: www.coopers-uk.co.uk

Coopers Fire Limited
Koolshade (UK) Limited
FireMaster Limited
are Cooper Group Companies

DRAWN:
J. REED

TITLE:
VII FIRE REVEAL HEADBOX AND SIDE GUIDE DETAILS

CHECKED:
I. CHAMBERS

© COOPER GROUP LIMITED 1997
ALL RIGHTS RESERVED. THIS DESIGN MAY NOT BE
REPRODUCED IN ANY MATERIAL FORM, INCLUDING
ELECTRONICALLY WITHOUT THE WRITTEN PERMISSION OF
THE COPYRIGHT NAMES

ALL DIMENSIONS IN MILLIMETERS
UNLESS OTHERWISE STATED

APPROVED:
M. WARD

DRG. No.
601/303/MK

ISSUE: c
DATE: 02-03-09