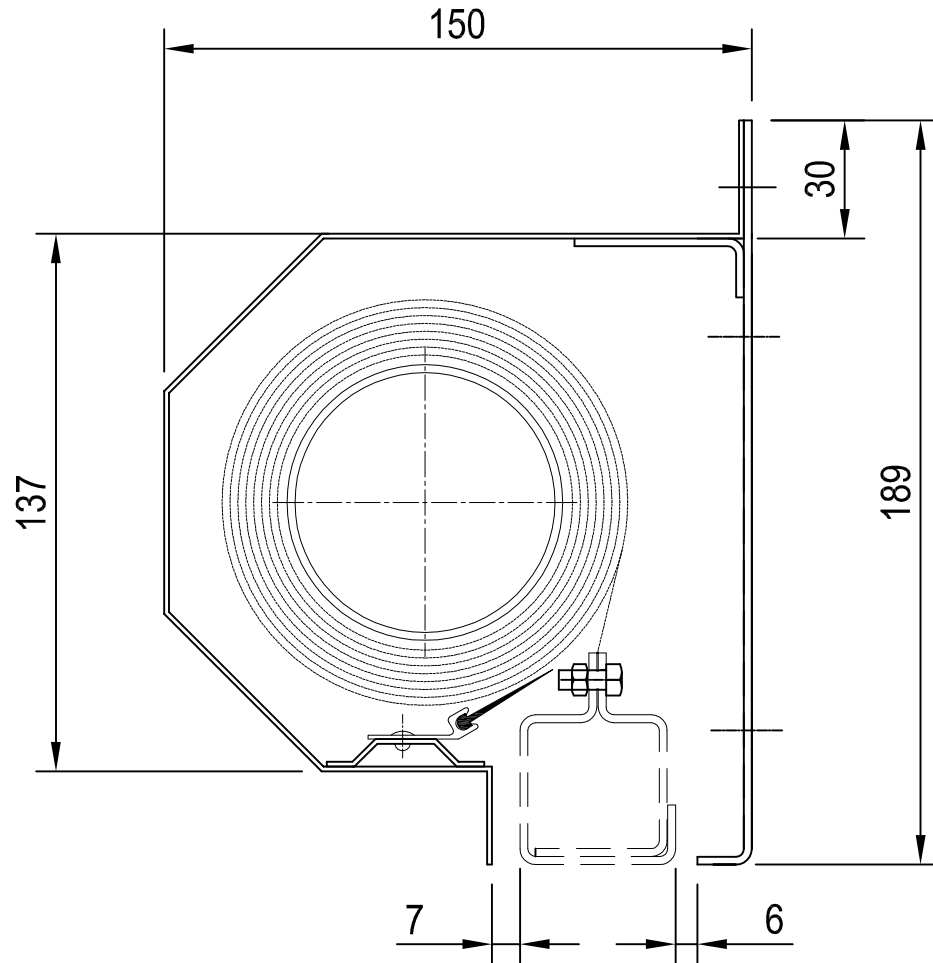
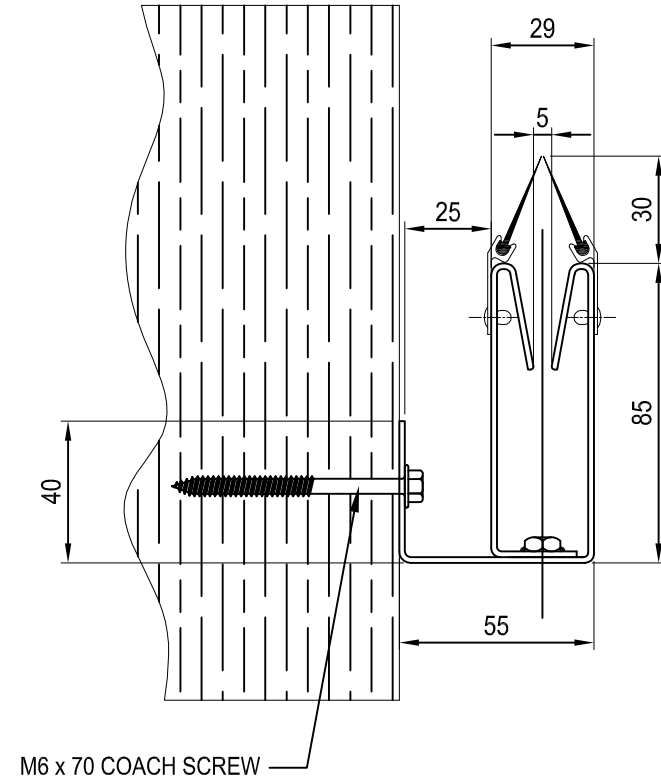


HEADBOX DETAILS



END PLATE REMOVED FOR CLARITY

SIDE GUIDE DETAILS



M6 x 70 COACH SCREW

Coopers
Fire & Smoke

Tel : +44 (0) 23 9245 4405
Fax: +44 (0) 23 9249 2732

Edward House, Penner Road,
Havant, Hants. PO9 1QZ, UK
E-mail : info@coopers-uk.com
Web Site: www.coopers-uk.co.uk

Coopers Fire Limited
Koolshade (UK) Limited
FireMaster Limited
are Cooper Group Companies

DRAWN:
J. REED

CHECKED:
C. LEWIS

APPROVED:
M. WARD

TITLE:
VII FIRE HEADBOX AND SIDE GUIDE DETAILS
WITH SMOKE SEALS

© COOPER GROUP LIMITED 1997
ALL RIGHTS RESERVED. THIS DESIGN MAY NOT BE
REPRODUCED IN ANY MATERIAL FORM, INCLUDING
ELECTRONICALLY WITHOUT THE WRITTEN PERMISSION OF
THE COPYRIGHT NAMES

DRG. No.
601/306/MK

ALL DIMENSIONS IN MILLIMETERS
UNLESS OTHERWISE STATED

ISSUE: A
DATE: 22-09-09