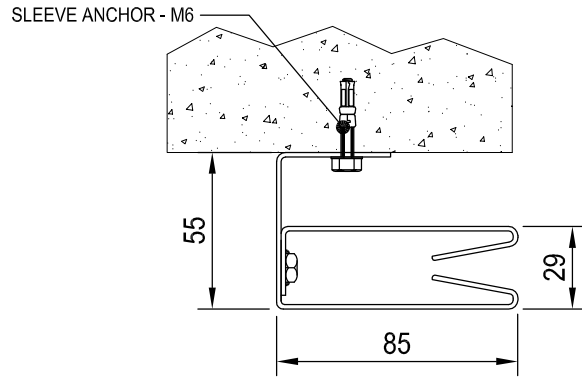
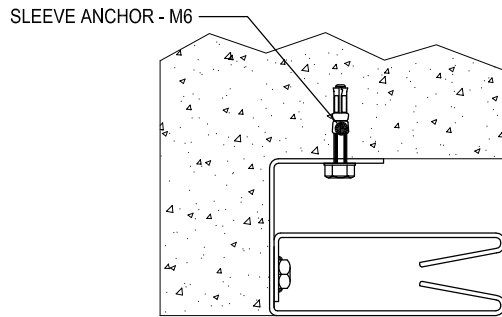


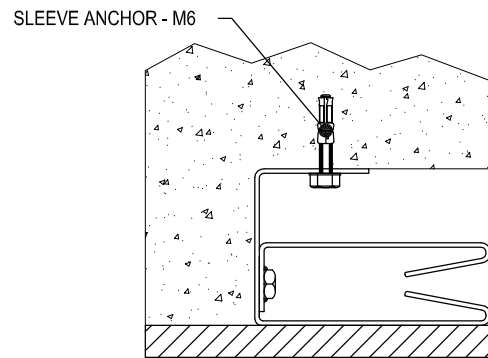
SIDE GUIDE FIXING DETAILS



STANDARD INSTALLATION

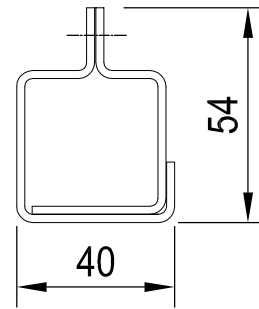


STANDARD INSTALLATION

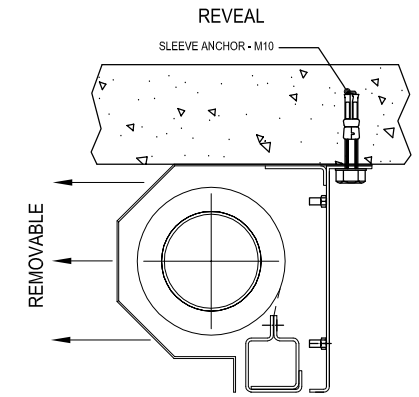
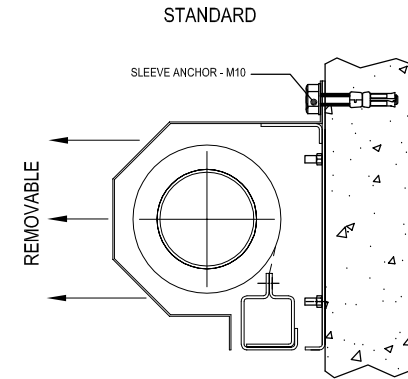


STANDARD INSTALLATION

BOTTOM BAR DETAIL



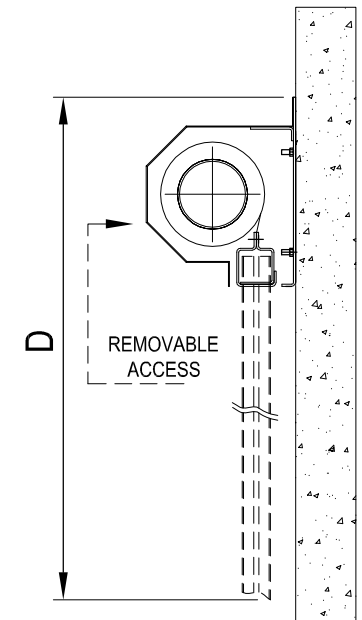
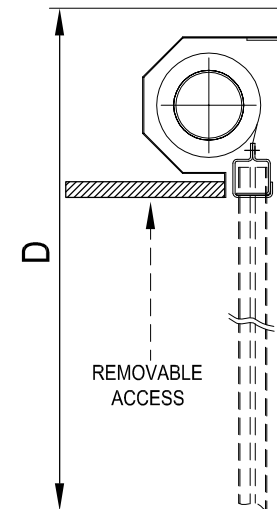
FIXING DETAIL



MATERIALS

Product is manufactured from either Mild Steel with a Galvanised finish, Stainless Steel, or Zintec which allows for Polyester Powder Coating in RAL 9010 (other finishes on request).

TYPICAL ACCESS REQUIREMENTS



Coopers
Fire & Smoke

Tel: +44 (0) 23 9245 4405
Fax: +44 (0) 23 9249 2732

Edward House, Penner Road,
Havant, Hants. PO9 1QZ, UK
E-mail: info@coopers-uk.com
Web Site: www.coopers-uk.co.uk

Coopers Fire Limited
Koolshade (UK) Limited
FireMaster Limited
are Cooper Group Companies

DRAWN:
J. REED

TITLE:
VII FIRE PRODUCT INFORMATION

CHECKED:
J. BARTLETT

©COOPER GROUP LIMITED 1997
ALL RIGHTS RESERVED. THIS DESIGN MAY NOT BE
REPRODUCED IN ANY MATERIAL FORM, INCLUDING
ELECTRONICALLY WITHOUT THE WRITTEN PERMISSION OF
THE COPYRIGHT NAMES

ALL DIMENSIONS IN MILLIMETERS
UNLESS OTHERWISE STATED

APPROVED:
C. LEWIS

DRG. No.
601/300/MK

ISSUE: B
DATE: 10-02-09