

You'll never know its there until you need it!

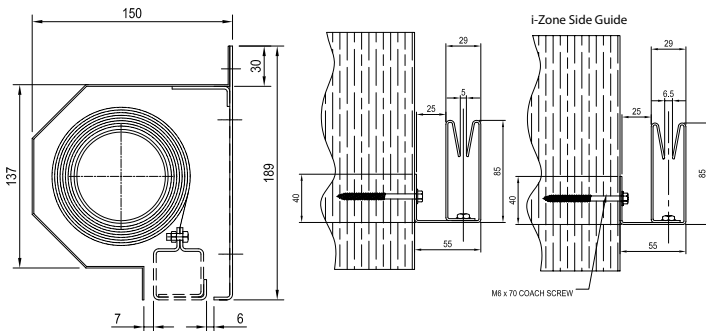
The ViiFire Door is a compact fully automatic motorised roller system with a high temperature stainless steel reinforced curtain, tested up to 1000°C, concealed in a strong steel casing above the doorway or opening. It remains hidden but ready to work – in the event of a fire. It is easy for a competent person to install and the first and only 'plug and play' system.

The ViiFire Door can be either a main alarm controlled or a standalone Fire Curtain safety system, replacing traditional fire doors in corridors, lobbies or 'compartments'. The system only deploys in the event of a fire, total power or system failure (as required by regulation) or manual activation. The system specification must be approved by an authorised person ie Building Control.

Design Specification

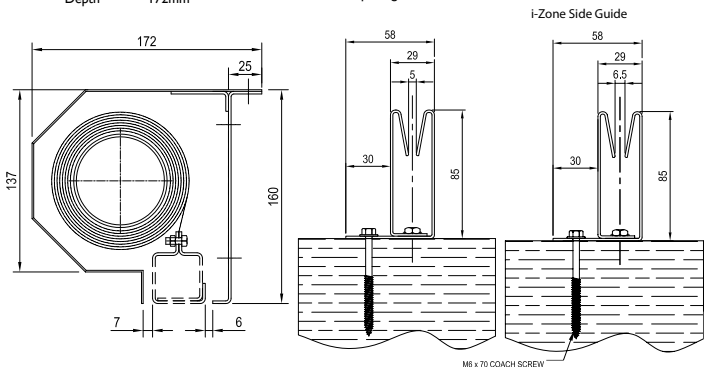
Face Fixed

Headbox:	Back	189mm	Side Guide:	Width	55mm
	Front	137mm		Depth	85mm
	Depth	150mm		Opening	29mm



Reveal Fixed

Headbox:	Back	160mm	Side Guide:	Width	58mm
	Front	137mm		Depth	85mm
	Depth	172mm		Opening	29mm



Should you have any queries please contact ViiFire Technical for FREE on: 0800 783 6628

The design caters for a standard range of opening sizes. Special sizes can be accommodated up to a maximum size of 3000mm x 3000mm.

The descent speed is adjustable and should be set to between 0.06 m/s to 0.15 m/s to comply with BS PAS 121:2007 (5.3a).

The system is designed as 'plug and play'. This means that all ancillary equipment is provided with a labeled plug that plugs into a corresponding labeled socket.

The system contains its own dedicated, self-monitoring battery back-up & emergency power system.

This system comes with an aesthetically stylish ViiFire Control panel as standard. Only the Battery, Accessory and Control fuses are on the main control box.

- ✓ **Mandatory Safety Functions**
- ✓ **Total Power Failure Gravity Fail Safe**
- ✓ **Total Wiring Corruption Gravity Fail Safe**
- ✓ **Total Control Equipment Gravity Fail Safe**
- ✓ **Safe Controlled Operating Speeds**

Accessories

Emergency Retract*

Push Switch or Touch Switch
Emergency Retract works for approximately 30 minutes depending on the size of the curtain.

*Emergency Retract buttons are not supplied as standard. Please ensure you check with the appropriate authority if emergency retract is required.

Voice Warning (2 Message)

Message 1 – Curtain descending
Message 2 – Curtain obstruction

Audio / Visual Beacon

Red Light – Flashing (not strobe) to indicate that the unit is operating.

Bump Stop (on bottom bar)

A pressure sensitive strip on the bottom bar senses the obstruction, causing the curtain to retract, pause, play the obstruction message, then descend again. This sequence is repeated three times in a row before finally descending regardless of obstruction.

Obstruction Light Curtain or Beam

The Light Curtain detects any obstruction within the whole opening. The Beam is a single horizontal beam, fitted at low level.

After 10 seconds of either being obstructed, the Voice Warning or Audio / Visual Beacon activates. This is a warning device only. The curtain will descend in the event of activation.

Fire Alarm input

The system is activated from main system or heat, smoke or thermal fuse alarm inputs. Detectors can be wired in series to extend cover.

Measuring and Ordering

1. Check all walls and surfaces are suitably fire rated.
2. Ensure all fittings, if different to the standard fittings being supplied* are suitably fire and load rated. Refer to your fixings supplier eg Hilti, Winzer Würth etc. Coopers do not accept any responsibility if fittings other than those supplied are used. Please contact ViiFire Technical Department if you are unsure.
3. Ensure there are no obstructions e.g. pipes, cables, tiles etc.
4. Measure the width of the opening at the top, middle and bottom.

If Face Fix – Use the largest dimension as your Clear Opening Width.

If Reveal Fix – Use the smallest dimension as your Clear Opening Width.

5. Measure the height of the opening on the left, middle and right.

If Face Fix – Use the largest dimension as your Clear Opening Height.

If Reveal Fix – Use the smallest dimension as your Clear Opening Height.

6. Choosing the correct model to suit your Clear Opening Size:

Face Fix – Select the model with the next larger (width x height) Clear Opening Size from the Face Fix Size & Weights Chart. Please note the Clear Opening size will remain unchanged.

Reveal Fix – Select the model with the next smaller (width x height) Clear Opening Size from the Reveal Fix Size & Weights Chart. Please note: an additional 10mm manufacturing tolerance on height and width will be allowed. Once installed, all gaps must be suitable sealed. Refer to Accessories for details.

General Notes

Made to Measure Opening

Select the appropriate Unit size you require and fabricate your opening exactly to the Clear Opening Size given in the Chart for that Model Number and Clear Opening size.

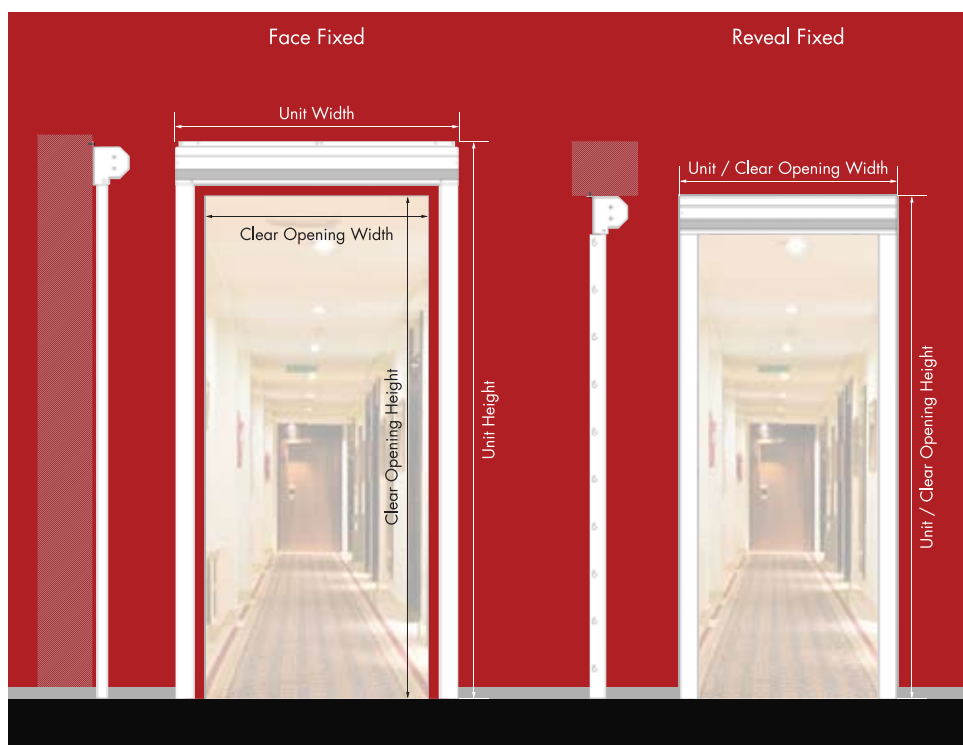
Made to Measure ViiFire Unit

Provide the exact Clear Opening Size (width and height) and a made to measure unit will be made for you. Please Note: an additional 10 mm on width and height will be deducted during manufacture for tolerance. Once installed, all gaps must be suitable sealed. Refer to Accessories for details.

7. Each fire curtain is supplied with a 5 metre pre-wired motor cable to the control panel. If Emergency Retract is required, the motor cable will be fire rated, typically FP200. A 2 metre mains power lead with a standard plug to fit a standard fused unswitched socket and a 5 metre two core alarm cable are also supplied. Only a qualified electrician can carry out any mains electrical connections or modifications.

8. ViiFire Doors will be supplied with the motor cable located at the left side of the headbox. If a right side cable extrusion is required, please request when ordering.

* M6 x 70 Coach Screws



Examples

Face Fix

Width of Opening: 1430 (VFD-F15/** model)
Height of Opening: 1876 (VFD-F**/20 model)
= VFD-F15/20 model

Width of Opening: 847 (VFD-F09/** model)
Height of Opening: 2206 (VFD-F**/23 model)
= VFD-F09/23 model

Reveal Fix

Width of Opening: 1312 (VFD-R12/** model)
Height of Opening: 2187 (VFD-RF**/21 model)
= VFD-R12/21 model

Width of Opening: 1246 (VFD-R10/** model)
Height of Opening: 2594 (VFD-R**/25 model)
= VFD-R10/25 model

WIDTH

Clear Opening Width (mm):		900	1000	1200	1500	2000	2500	3000
Face Fix Overall Unit Width:		1070	1170	1370	1670	2170	2670	3170
Reveal Fix Overall Unit Width:		N/A	990	1190	1490	1990	2490	2990

HEIGHT

Clear Opening Height (mm):	2000								
Face Fix Overall Unit Height:	2190	Face Fix Product Code:	VFD-F9/20	VFD-F10/20	VFD-F12/20	VFD-F15/20	VFD-F20/20	VFD-F25/20	VFD-F30/20
Reveal Fix Overall Unit Height:	1990	Reveal Fix Product Code:	-	VFD-R10/20	VFD-R12/20	VFD-R15/20	VFD-R20/20	VFD-R25/20	VFD-R30/20
		Finished Reveal Opening:	-	820 x 1830	1020 x 1830	1320 x 1830	1820 x 1830	2320 x 1830	2820 x 1830
		Nominal Unit Weight (Kgs):	30	31	34	37	44	52	60
Clear Opening Height (mm):	2100								
Face Fix Overall Unit Height:	2290	Face Fix Product Code:	VFD-F9/21	VFD-F10/21	VFD-F12/21	VFD-F15/21	VFD-F20/21	VFD-F25/21	VFD-F30/21
Reveal Fix Overall Unit Height:	2090	Reveal Fix Product Code:	-	VFD-R10/21	VFD-R12/21	VFD-R15/21	VFD-R20/21	VFD-R25/21	VFD-R30/21
		Finished Reveal Opening:	-	820 x 1930	1020 x 1930	1320 x 1930	1820 x 1930	2320 x 1930	2820 x 1930
		Nominal Unit Weight (Kgs):	30	31	34	38	44	52	61
Clear Opening Height (mm):	2300								
Face Fix Overall Unit Height:	2490	Face Fix Product Code:	VFD-F9/23	VFD-F10/23	VFD-F12/23	VFD-F15/23	VFD-F20/23	VFD-F25/23	VFD-F30/23
Reveal Fix Overall Unit Height:	2290	Reveal Fix Product Code:	-	VFD-R10/23	VFD-R12/23	VFD-R15/23	VFD-R20/23	VFD-R25/23	VFD-R30/23
		Finished Reveal Opening:	-	820 x 2130	1020 x 2130	1320 x 2130	1820 x 2130	2320 x 2130	2820 x 2130
		Nominal Unit Weight (Kgs):	30	32	35	38	44	53	61
Clear Opening Height (mm):	2500								
Face Fix Overall Unit Height:	2690	Face Fix Product Code:	VFD-F9/25	VFD-F10/25	VFD-F12/25	VFD-F15/25	VFD-F20/25	VFD-F25/25	VFD-F30/25
Reveal Fix Overall Unit Height:	2490	Reveal Fix Product Code:	-	VFD-R10/25	VFD-R12/25	VFD-R15/25	VFD-R20/25	VFD-R25/25	VFD-R30/25
		Finished Reveal Opening:	-	820 x 2330	1020 x 2330	1320 x 2330	1820 x 2330	2320 x 2330	2820 x 2330
		Nominal Unit Weight (Kgs):	30	33	36	39	46	54	62
Clear Opening Height (mm):	3000								
Face Fix Overall Unit Height:	3190	Face Fix Product Code:	VFD-F9/30	VFD-F10/30	VFD-F12/30	VFD-F15/30	VFD-F20/30	VFD-F25/30	VFD-F30/30
Reveal Fix Overall Unit Height:	2990	Reveal Fix Product Code:	-	VFD-R10/30	VFD-R12/30	VFD-R15/30	VFD-R20/30	VFD-R25/30	VFD-R30/30
		Finished Reveal Opening:	-	820 x 2830	1020 x 2830	1320 x 2830	1820 x 2830	2320 x 2830	2820 x 2830
		Nominal Unit Weight (Kgs):	31	34	36	40	46	55	63

Maximum size available (mm): Standard Viifire Curtain - 3000 x 3000 | i-Zone Curtain - 2500 x 2500

Site layout

